

# StoVentec® Render

## Pre-Engineered Render System Quick Start Guide

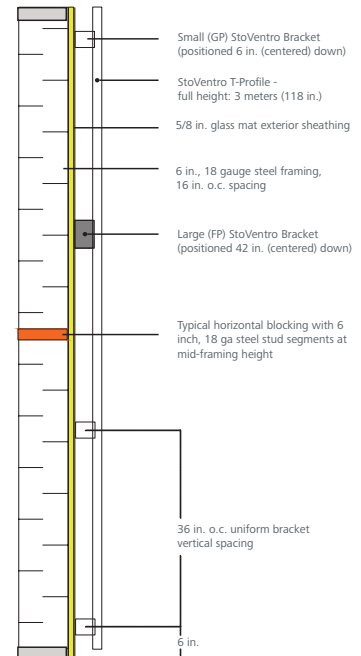
Our pre-engineered StoVentec® Render system makes it easy to install a durable, high performance, ventilated Rainscreen based on your design pressure requirements. This guide contains all the important information you'll need, from start to finish.



### Prescriptive StoVentro™ Sub-construction

<b>Wall Framing</b>	Steel Studs: 18 gauge, 6 in., 1-5/8 in. flange, min 33 ksi yield	16 in. o.c. spacing with lateral blocking/ bracing	5/8 in. exterior glass mat sheathing	HVHZ locations: concrete backup or studwalls with 5/8 in. plywood sheathing
<b>StoVentro™ Brackets</b>	Vertical spacing: 36 in. Horizontal spacing: 16 in.	One Large (FP) and Three Small (GP) brackets per full T-Profile	Depth Choices: 40mm-160mm* (in 20mm increments) (1-1/2 to 6-1/4 in. in 3/4 in. increments)	Material Choices: Aluminum or Zn-Al-Mg galvanized steel
<b>StoVentro Profiles</b>	3m (118 in.) T-Profiles, oriented vertically	Horizontal Spacing: 16 in.	Min. one Large (FP) Bracket near center of rail	Fixed point and sliding point fastening required at connections to StoVentro Brackets.
<b>Fastening</b>	<b>Bracket to Steel Studs:</b> 1/4-14 x 2 in. Bi-Met self-drilling, hex-head screws w/ washers	<b>Bracket to Concrete:</b> Engineering required, or refer to Miami-Dade NOA for pre-engineered option	<b>T-Profiles to Brackets:</b> StoVentro Screws (5.5x 22mm) - stainless	Two steel stud screws and two StoVentro Screws per bracket

### StoVentec System Build Up



\*Note: Larger brackets up to 360mm available require project-specific engineering.

### System Components and Accessories

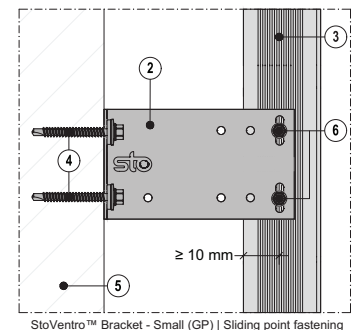
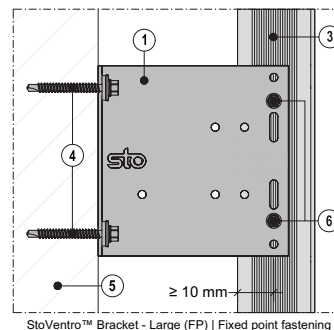
Components	Accessories
FP bracket	Parapet cap
GP bracket	Bracket extensions
Steel stud screws	Thermal blocking elements
StoVentro screws	Window sill flashing
T profile	Ventilation Profile
L profile	Edge protection profile, G, GT, GF
Carrier Board	StoSeal™ STPE
Render Facade screws	Sto Lamella fire break and Intumescent Tape

These prescriptive assemblies apply only to flat, vertical walls.

Soffits and curved walls require project-specific engineering.

Deviations from the prescriptive Render configurations will change the allowable wind design pressure and could result in product failure.

Substantial changes to the prescriptions require project-specific engineering.



#### StoVentro Fastener Connections

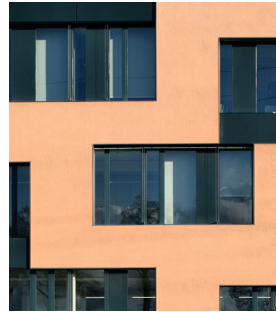
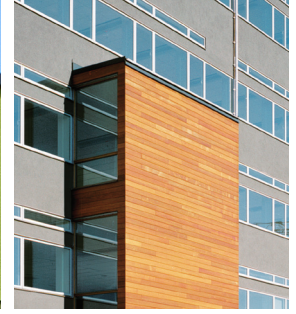
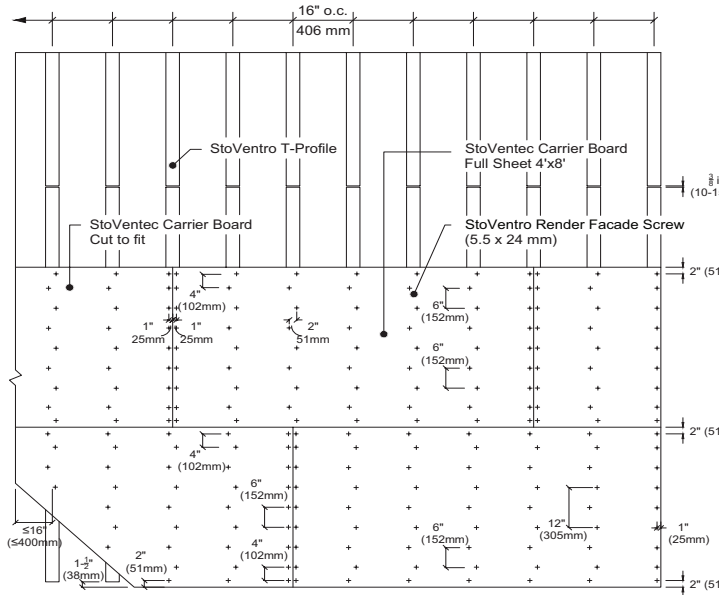
- ① Large/Fixed Point (FP) Bracket
- ② Small (GP) Sliding Bracket
- ③ T-Profile
- ④ Bracket-to-wall anchors
- ⑤ StoVentro Screw
- ⑥ Framing Member

## Carrier Board Layout and Fastening

Carrier boards must be installed in a staggered/running bond pattern (offset 16"). Refer to the elevation details for the 42.5, 60, and 80 psf allowable load fastener configurations. Do not leave gaps between boards. Keep the boards the same height across each row (i.e. all 4' tall or all 3' tall in the same row as examples).

### 80 Psf Wall Layout

Carrier Board Fastening - 6" max screw spacing for allowable 80 psf wind design pressure (ultimate load capacity: 160 psf)



## Estimated accessory quantities based on design pressure/application, for a 1000 ft<sup>2</sup> wall section

Accessory	42.5 psf	60 psf	80 psf	Price	
Steel Stud Screws	640	640	640	\$159.54 - \$216.00	Per bag of 250, priced by quantity*
FP Bracket	80	80	80	\$3.41 - \$8.00	Priced per piece*
GP Bracket	240	240	240	\$2.66 - \$5.63	Priced per piece*
T Profile	80	80	80	\$18.90 - \$34.02	Priced per piece, priced by quantity*
StoVentec Screw (Bracket to Profile)	640	640	640	\$153.88 - \$209.27	Per box of 500, priced by quantity*
Carrier Board	32	32	32	\$104.16 - \$187.48	Priced per piece, priced by quantity*
Render Facade Screw (Carrier Board to Profile)	1400	1960	2520	\$103.57 - \$186.43	Per box of 500, priced by quantity*

\*Talk to your Rainscreen Specialist for detailed pricing. Volume pricing available and subject to change, depends on bracket size and metal type. Example, if Aluminum 80mm then \$.

Note: These are gross approximations that do not take into account windows, openings, transitions, corners, etc. It's for rough order of magnitude estimates only. Please conduct a full take-off for accurate material count.

**For even more detail, scan the QR Code.**

Access a wide variety of specs, code and test reports, install guides, BIM objects, installation videos and more.



### Sto Americas

#### Sto Corp.

3800 Camp Creek Parkway  
 Building 1400 Suite 120  
 Atlanta, GA 30331  
 USA  
 Phone 1-800-221-2397  
 www.stocorp.com

For any project, always comply with local building code and/or registered design professional for structural adequacy requirements of exterior walls.