



# Restoration Detail Series

Series 72.xx-74.xx

August 2016

## ATTENTION

Sto products are intended for use by qualified professional contractors, not consumers, as a component of a larger construction assembly as specified by a qualified design professional, general contractor or builder. They should be installed in accordance with those specifications and Sto's instructions. Sto Corp. disclaims all, and assumes no, liability for on-site inspections, for its products applied improperly, or by unqualified persons or entities, or as part of an improperly designed or constructed building, for the nonperformance of adjacent building components or assemblies, or for other construction activities beyond Sto's control. Improper use of Sto products or use as part of an improperly designed or constructed larger assembly or building may result in serious damage to Sto products, and to the structure of the building or its components.

STO CORP. DISCLAIMS ALL WARRANTIES EXPRESSED OR IMPLIED EXCEPT FOR EXPLICIT LIMITED WRITTEN WARRANTIES ISSUED TO AND ACCEPTED BY BUILDING OWNERS IN ACCORDANCE WITH STO'S WARRANTY PROGRAMS WHICH ARE SUBJECT TO CHANGE FROM TIME TO TIME. For the fullest, most current information on proper application, clean-up, mixing and other specifications and warranties, cautions and disclaimers, please refer to the Sto Corp. website, [www.stocorp.com](http://www.stocorp.com).

[www.stocorp.com](http://www.stocorp.com)

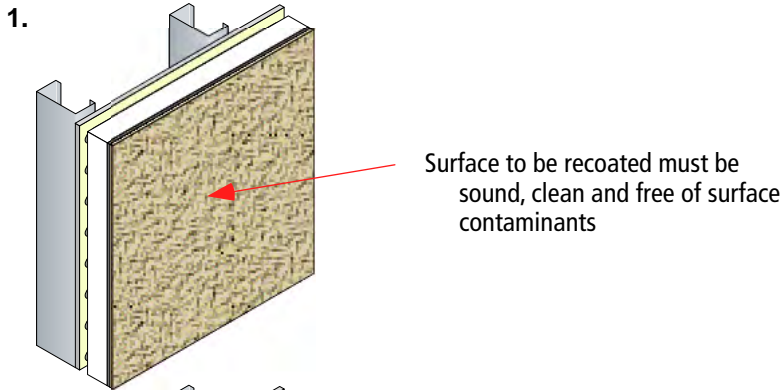


Property of Sto Corp.  
All Rights Reserved.

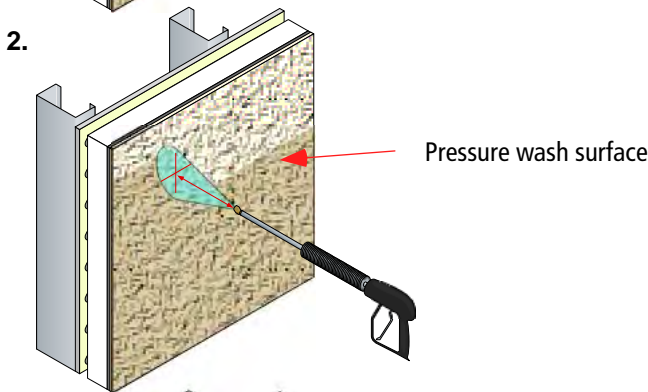
# Sto reStore Smooth recoat

Detail No.: 72.01

Date: December 2010

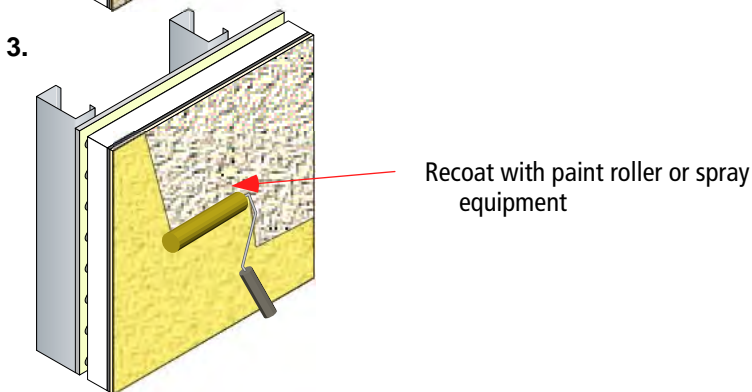


1. Inspect surface to ensure it is sound and clean.



2. Follow the directions for cleaning in StoTherm® EIFS Reference Guide: Repair and Maintenance, Cleaning EIFS 1.01.

Caution: When pressure washing surface, use pressure below 500 psi (3.4 MPa) and keep the nozzle several feet away from the surface.



3. When the surface is dry and clean, recoat using appropriate paint roller or spray equipment. Refer to StoTherm® EIFS Reference Guide: Repair and Maintenance, Recoating EIFS 1.02.

**Sto Corp.**  
3800 Camp Creek Parkway  
Building 1400, Suite 120  
Atlanta, GA 30331  
Phone 404-346-3666  
Toll Free 888-786-3437  
Fax 404-346-3119  
[www.stocorp.com](http://www.stocorp.com)

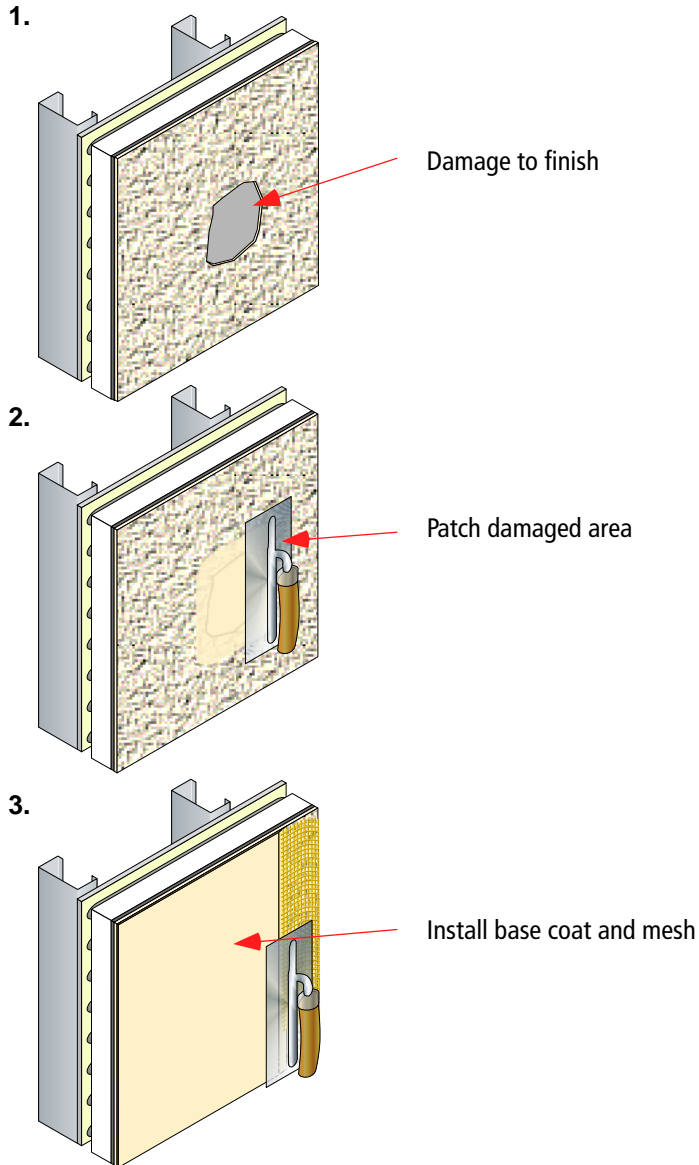
## Attention

Sto products are intended for use by qualified professional contractors, not consumers, as a component of a larger construction assembly as specified by a qualified design professional, general contractor or builder. They should be installed in accordance with those specifications and Sto's instructions. Sto Corp. disclaims all, and assumes no, liability for on-site inspections, for its products applied improperly, or by unqualified persons or entities, or as part of an improperly designed or constructed building, for the nonperformance of adjacent building components or assemblies, or for other construction activities beyond Sto's control. Improper use of Sto products or use as part of an improperly designed or constructed larger assembly or building may result in serious damage to Sto products, and to the structure of the building or its components. **STO CORP. DISCLAIMS ALL WARRANTIES EXPRESS OR IMPLIED EXCEPT FOR EXPLICIT LIMITED WRITTEN WARRANTIES ISSUED TO AND ACCEPTED BY BUILDING OWNERS IN ACCORDANCE WITH STO'S WARRANTY PROGRAMS WHICH ARE SUBJECT TO CHANGE FROM TIME TO TIME.** For the fullest, most current information on proper application, clean-up, mixing and other specifications and warranties, cautions and disclaimers, please refer to the Sto Corp. website, [www.stocorp.com](http://www.stocorp.com).

# Sto reStore Resurfacing EIFS

Detail No.: 72.02

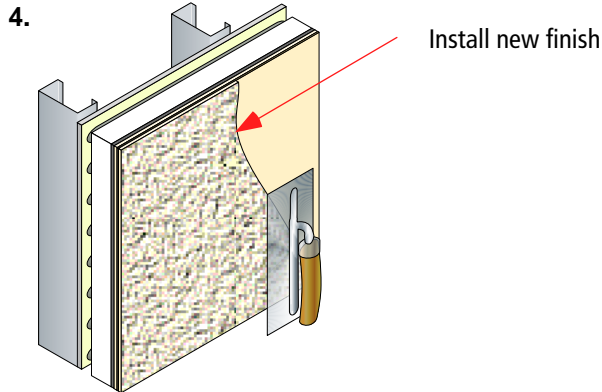
Date: December 2010



**1.** Inspect the existing finish to ensure that it is sound, clean, and free of contaminants. Any areas of loose or damaged finish should be removed and the base coat inspected prior to proceeding.

**2.** Patch the damaged area with base coat prior to re-application of base coat to provide a level substrate.

**3.** When the existing substrate is clean and dry apply base coat and mesh to the entire surface to be refinished.



4. Install new textured finish over the entire surface area to be refinished. Protect finish until completely dry.

Note: Follow directions for application in StoTherm® EIFS Reference Guide: Repair and Maintenance, Resurfacing EIFS - 1.03.

**Sto Corp.**  
 3800 Camp Creek Parkway  
 Building 1400, Suite 120  
 Atlanta, GA 30331  
 Phone 404-346-3666  
 Toll Free 888-786-3437  
 Fax 404-346-3119  
[www.stocorp.com](http://www.stocorp.com)

### Attention

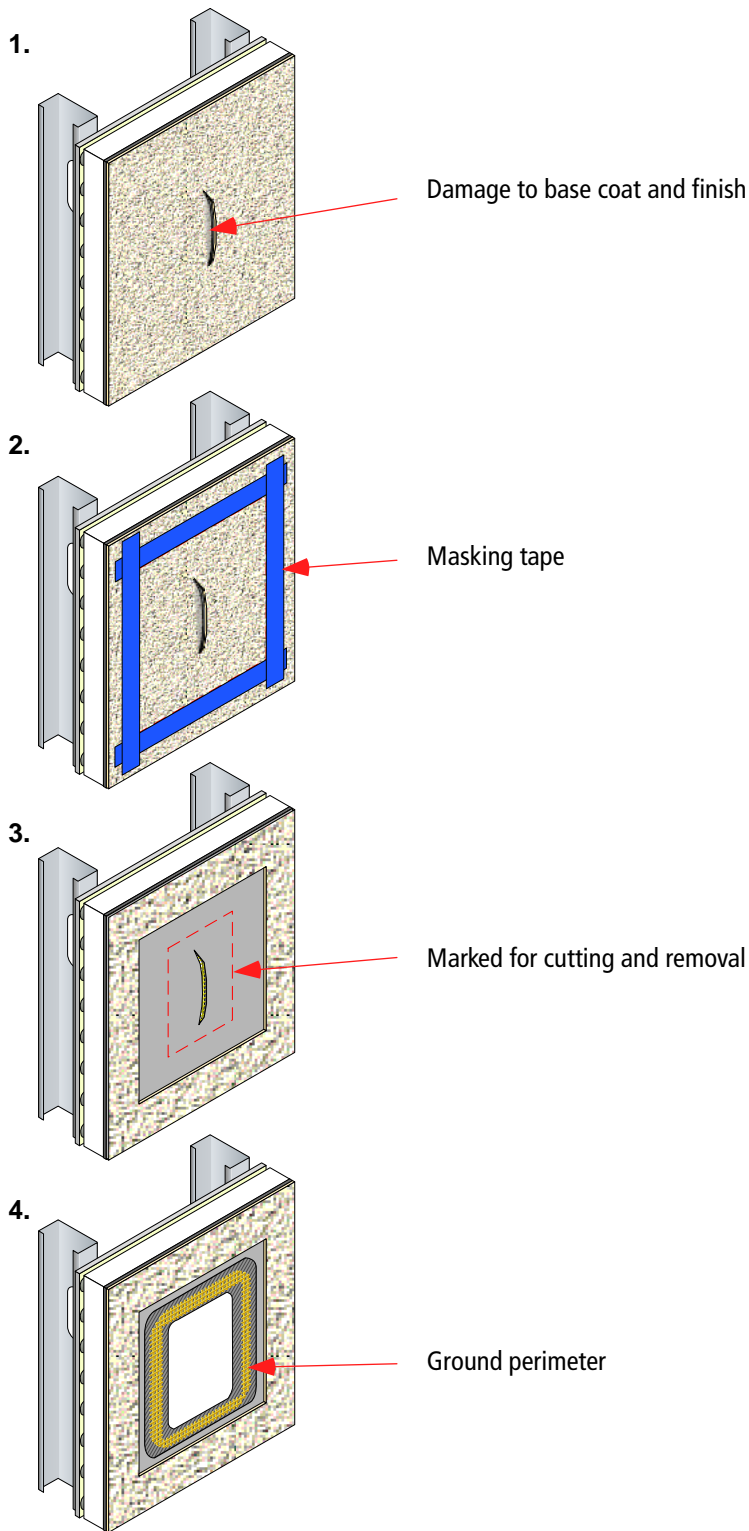
Sto products are intended for use by qualified professional contractors, not consumers, as a component of a larger construction assembly as specified by a qualified design professional, general contractor or builder. They should be installed in accordance with those specifications and Sto's instructions. Sto Corp. disclaims all, and assumes no, liability for on-site inspections, for its products applied improperly, or by unqualified persons or entities, or as part of an improperly designed or constructed building, for the nonperformance of adjacent building components or assemblies, or for other construction activities beyond Sto's control. Improper use of Sto products or use as part of an improperly designed or constructed larger assembly or building may result in serious damage to Sto products, and to the structure of the building or its components. **STO CORP DISCLAIMS ALL WARRANTIES EXPRESS OR IMPLIED EXCEPT FOR EXPLICIT LIMITED WRITTEN WARRANTIES ISSUED TO AND ACCEPTED BY BUILDING OWNERS IN ACCORDANCE WITH STO'S WARRANTY PROGRAMS WHICH ARE SUBJECT TO CHANGE FROM TIME TO TIME.** For the fullest, most current information on proper application, clean-up, mixing and other specifications and warranties, cautions and disclaimers, please refer to the Sto Corp. website, [www.stocorp.com](http://www.stocorp.com).

# Sto reStore

## Base coat and finish repair

Detail No.: 72.03

Date: December 2010



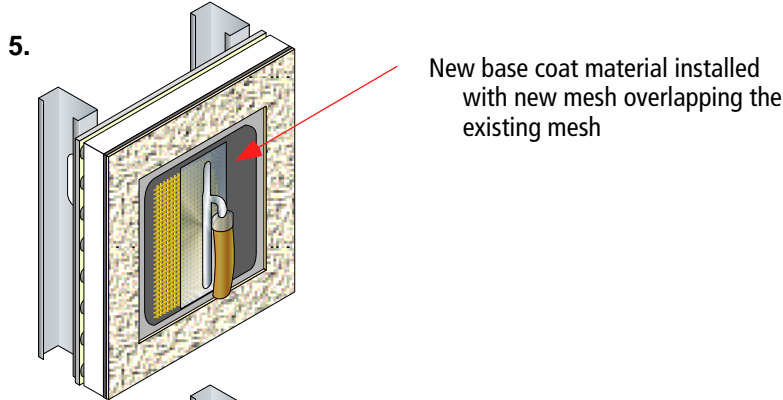
1. Procedure illustrates repairs to base coat and finish damage where the insulation remains intact.

2. Mask off the area around the damage approximately 6" (150 mm) from the edges of the damage. Remove the finish with a grinder or water-based gel paint stripper as described in StoTherm® EIFS Reference Guide: Repair and Maintenance, Repair of Puncture Damage in EIFS 2.03.

3. Mark off the area 3" (75 mm) from the edges of the damage and cut the base coat and mesh with a straight edge. Carefully remove the base coat and mesh around the damage.

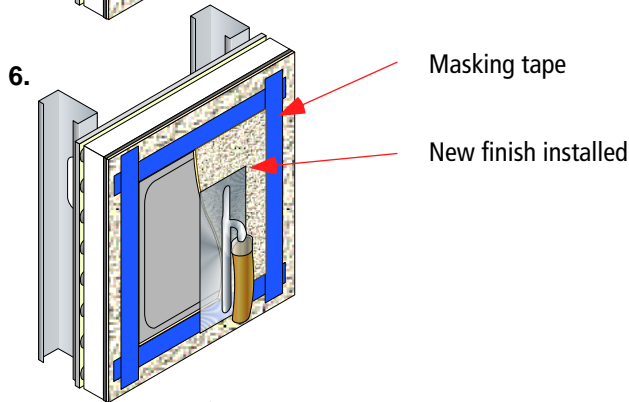
Inspect the insulation for damage. If the insulation shows signs of damage or the presence of water penetration, do not proceed until further remedial steps have been specified.

4. Scrape or grind the edge surface of the base coat away from the cut edge, exposing approximately 2.5" (65 mm) of reinforcing mesh.



New base coat material installed with new mesh overlapping the existing mesh

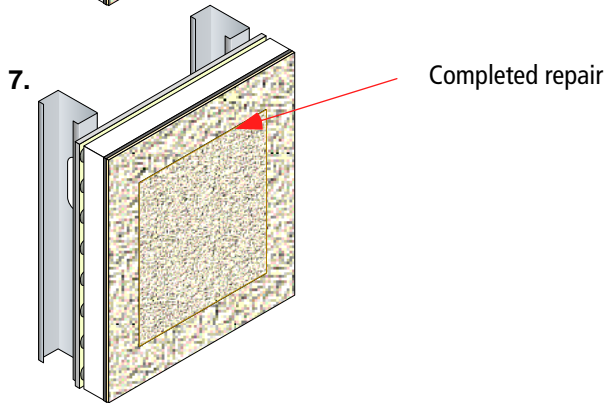
5. Install base coat and mesh over the exposed insulation. Cut the mesh to overlap the ground base coat and mesh a minimum of 2.5" (63 mm). Allow the patch to dry for 24 hours.



Masking tape

New finish installed

6. Re-mask the area around the edge of the finish. Install new finish within area protected by the masking tape. Immediately remove the masking tape and blend the new finish into the existing with a brush or other appropriate tool.



Completed repair

7. Protect the new finish until dry.

Depending on the age of the original finish the repair may remain visible as a repair. Texture may be slightly different from the original and the color may differ slightly. Over time the repair will 'weather in' and be less noticeable.

IF a more uniform finish is required, refer to ReStore Detail 72.01 Recoat with Smooth Coating or 72.02 Rebase with Texture Coating for alternate finishing procedures.

**Sto Corp.**  
 3800 Camp Creek Parkway  
 Building 1400, Suite 120  
 Atlanta, GA 30331  
 Phone 404-346-3666  
 Toll Free 888-786-3437  
 Fax 404-346-3119  
[www.stocorp.com](http://www.stocorp.com)

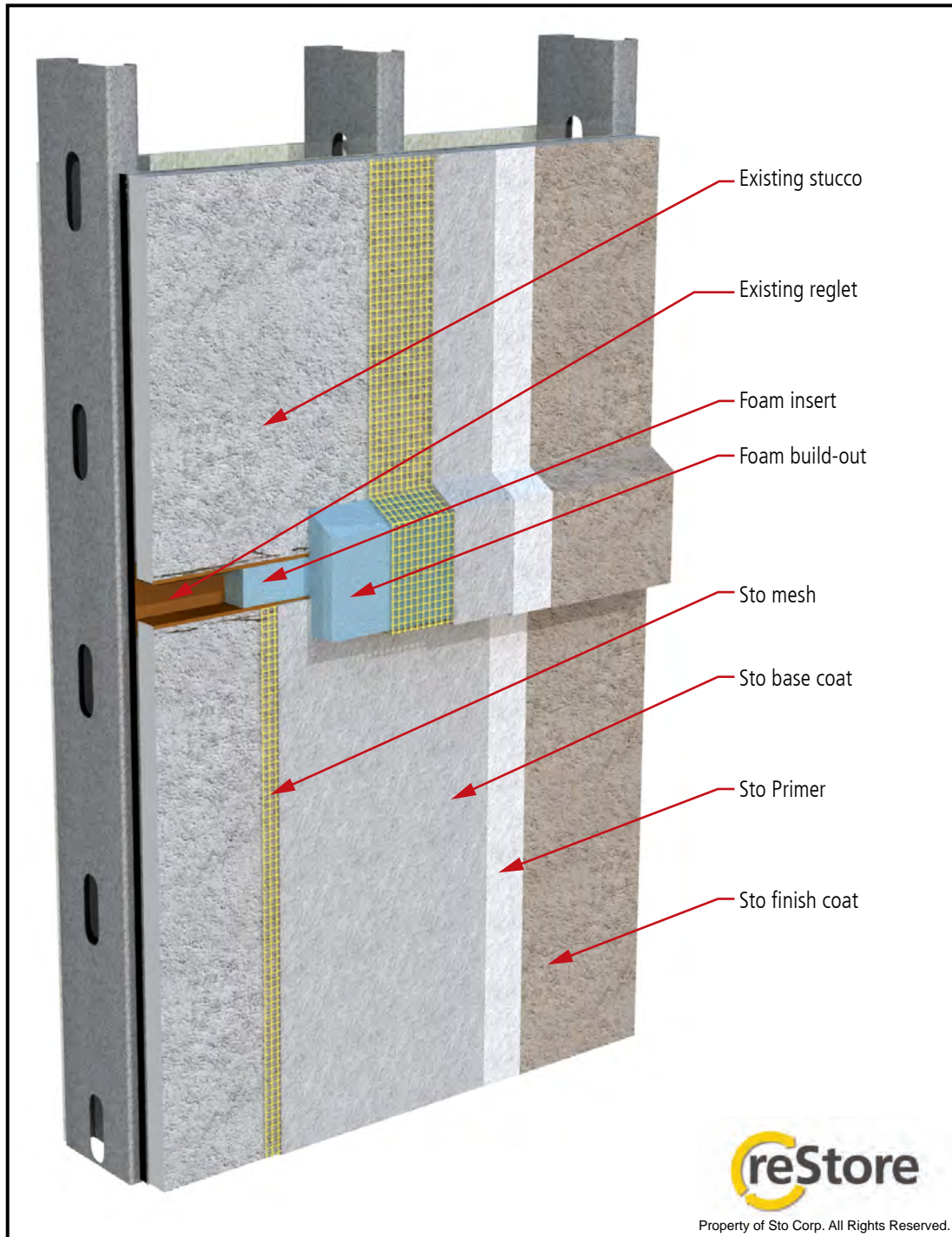
### Attention

Sto products are intended for use by qualified professional contractors, not consumers, as a component of a larger construction assembly as specified by a qualified design professional, general contractor or builder. They should be installed in accordance with those specifications and Sto's instructions. Sto Corp. disclaims all, and assumes no, liability for on-site inspections, for its products applied improperly, or by unqualified persons or entities, or as part of an improperly designed or constructed building, for the nonperformance of adjacent building components or assemblies, or for other construction activities beyond Sto's control. Improper use of Sto products or use as part of an improperly designed or constructed larger assembly or building may result in serious damage to Sto products, and to the structure of the building or its components. **STO CORP DISCLAIMS ALL WARRANTIES EXPRESS OR IMPLIED EXCEPT FOR EXPLICIT LIMITED WRITTEN WARRANTIES ISSUED TO AND ACCEPTED BY BUILDING OWNERS IN ACCORDANCE WITH STO'S WARRANTY PROGRAMS WHICH ARE SUBJECT TO CHANGE FROM TIME TO TIME.** For the fullest, most current information on proper application, clean-up, mixing and other specifications and warranties, cautions and disclaimers, please refer to the Sto Corp. website, [www.stocorp.com](http://www.stocorp.com).



# reStore Stucco Horizontal Reglet Repair

Detail No.: 72.20.71  
Date: November 2015



**Notes:**

1. Clean and prepare surfaces to be repaired to remove all dust, dirt, and other potential bond-inhibiting materials prior to installing Sto materials.
2. Repair and/or seal all cracks along existing reglets.
3. Apply Sto Base Coat with Sto Mesh or Sto Detail Mesh embedded along the bottom edge of the reglet.
4. Install a loose-fit foam insert into the reglet.
5. Apply a foam band across the reglet. Secure the foam to the prepared stucco surface above the reglet using Sto TurboStick® adhesive. Do not adhere the foam band to the surface below the reglet. The foam band should extend minimum 2 inches (51 mm) above and 1 inch (25 mm) below the reglet. (For best results, pre-wrap the foam band with base coat and mesh.)
6. Slope top edge of foam band away from the wall in accordance with the slope and waterproofing requirements for foam projections for the thickness of the band being used (see Sto Detail 72.20.70).
7. Install bond breaker tape and a fillet bead of compatible low modulus sealant along the bottom intersection of the base-coated foam band.
8. Apply Sto Primer (if specified) and Sto finish.
9. Thermal and normal structural movements create stress along the existing reglets. Some of these stresses may transfer to the foam band and could result in cracking if the band is rigidly attached to the substrate on both sides of the reglet.
10. This repair option is primarily for weatherproofing and aesthetic functions. A qualified design professional or qualified restoration contractor must review and approve this detail for use in the specific project conditions.

**IMPORTANT:** Components not identified as Sto are furnished by other manufacturers and are not necessarily installed by trades who install the Sto products. Refer to project specific contract documents.

[www.stocorp.com](http://www.stocorp.com)

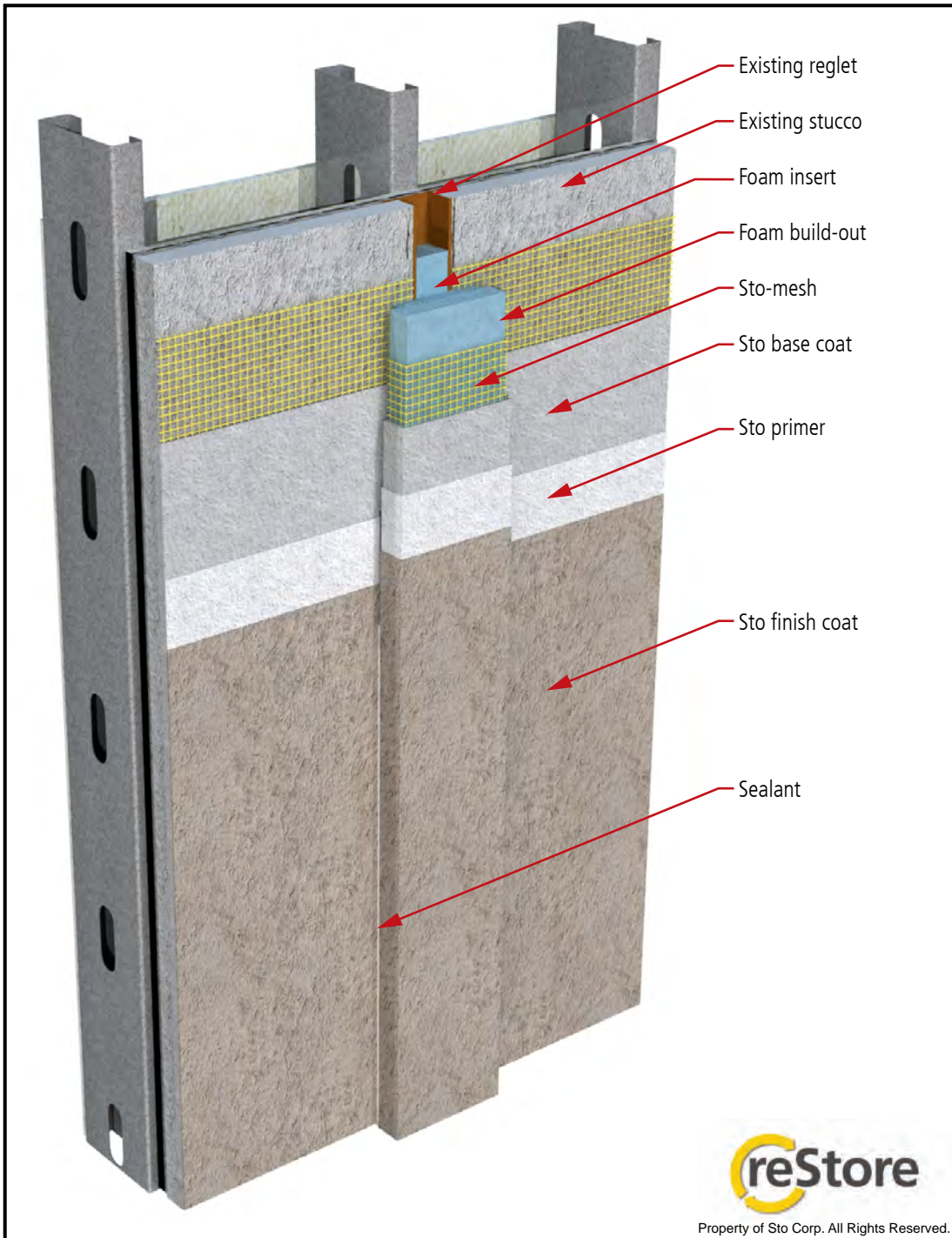
**ATTENTION**

Sto products are intended for use by qualified professional contractors, not consumers, as a component of a larger construction assembly as specified by a qualified design professional, general contractor or builder. They should be installed in accordance with those specifications and Sto's instructions. Sto Corp. disclaims all, and assumes no, liability for on-site inspections, for its products applied improperly, or by unqualified persons or entities, or as part of an improperly designed or constructed building, for the nonperformance of adjacent building components or assemblies, or for other construction activities beyond Sto's control. Improper use of Sto products or use as part of an improperly designed or constructed larger assembly or building may result in serious damage to Sto products, and to the structure of the building or its components.

**STO CORP. DISCLAIMS ALL WARRANTIES EXPRESSED OR IMPLIED EXCEPT FOR EXPLICIT LIMITED WRITTEN WARRANTIES ISSUED TO AND ACCEPTED BY BUILDING OWNERS IN ACCORDANCE WITH STO'S WARRANTY PROGRAMS WHICH ARE SUBJECT TO CHANGE FROM TIME TO TIME.** For the fullest, most current information on proper application, clean-up, mixing and other specifications and warranties, cautions and disclaimers, please refer to the Sto Corp. website, [www.stocorp.com](http://www.stocorp.com).

# reStore Stucco Vertical Reglet Repair

Detail No.:72.20.72  
Date: November 2015



**Notes:**

1. Clean and prepare surfaces to be repaired to remove all dust, dirt, and other potential bond-inhibiting materials prior to installing Sto materials.
2. Repair and/or seal all cracks along existing reglets.
3. Apply Sto Base Coat with Sto Mesh or Sto Detail Mesh embedded along both edges of the reglet.
4. Install a loose-fit foam insert into the reglet.
5. Apply a foam band across the reglet. Secure the foam to the prepared stucco surface on both sides of the reglet using Sto TurboStick® adhesive. The foam band should extend minimum 2 inches (51 mm) beyond the edges of the reglet on both sides. Pre-wrap the foam band with base coat and mesh.
6. Install bond breaker tape and a fillet bead of compatible low modulus sealant along the intersections of the base-coated foam band and wall.
7. Apply Sto Primer (if specified) and Sto finish.
8. Thermal and normal structural movements create stress along the existing reglets. Some of these stresses may transfer to the foam band and could result in cracking.
9. This repair option is primarily for weatherproofing and aesthetic functions. A qualified design professional or qualified restoration contractor must review and approve this detail for use in the specific project conditions.

**IMPORTANT:** Components not identified as Sto are furnished by other manufacturers and are not necessarily installed by trades who install the Sto products. Refer to project specific contract documents.

**ATTENTION**

Sto products are intended for use by qualified professional contractors, not consumers, as a component of a larger construction assembly as specified by a qualified design professional, general contractor or builder. They should be installed in accordance with those specifications and Sto's instructions. Sto Corp. disclaims all, and assumes no, liability for on-site inspections, for its products applied improperly, or by unqualified persons or entities, or as part of an improperly designed or constructed building, for the nonperformance of adjacent building components or assemblies, or for other construction activities beyond Sto's control. Improper use of Sto products or use as part of an improperly designed or constructed larger assembly or building may result in serious damage to Sto products, and to the structure of the building or its components.

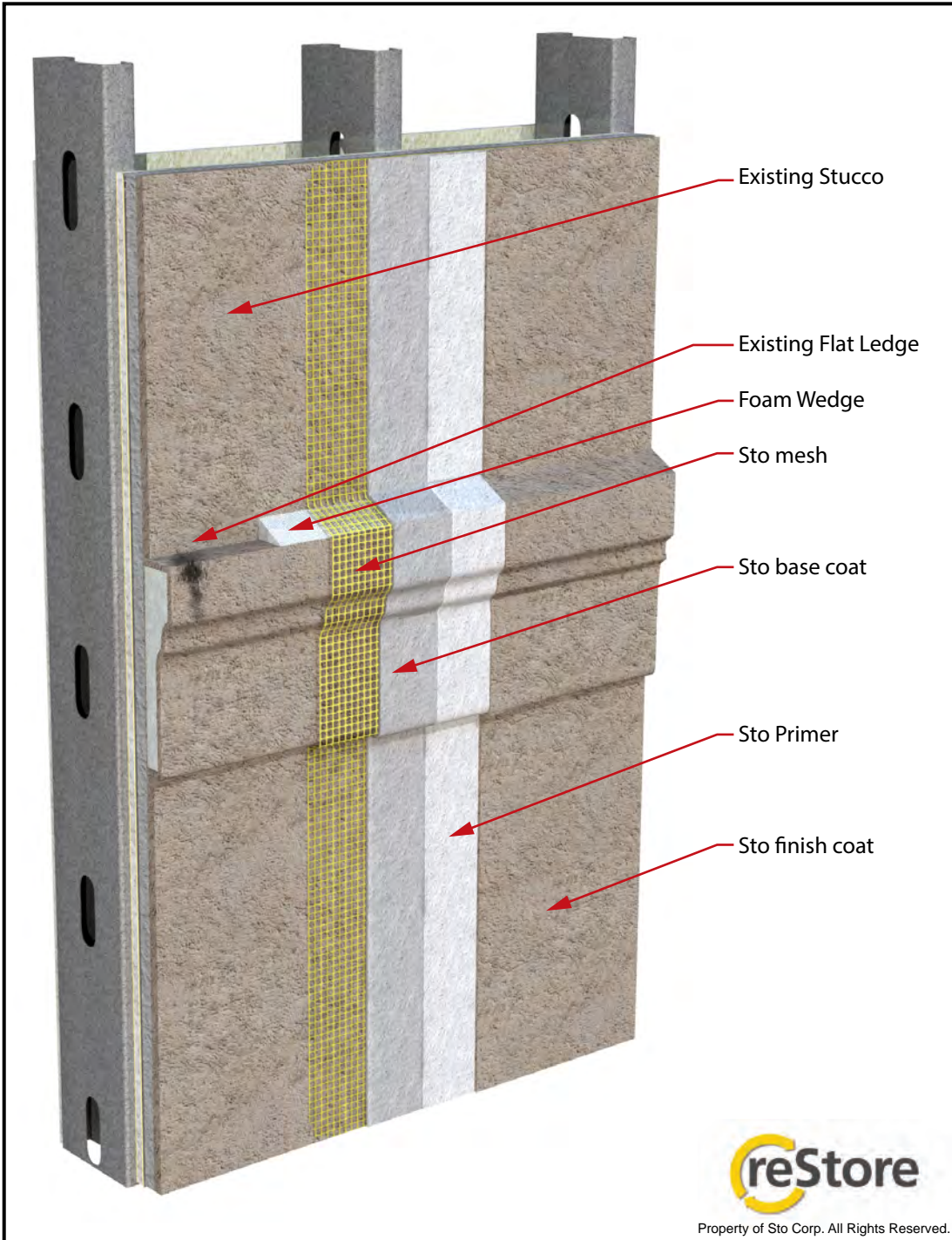
STO CORP. DISCLAIMS ALL WARRANTIES EXPRESSED OR IMPLIED EXCEPT FOR EXPLICIT LIMITED WRITTEN WARRANTIES ISSUED TO AND ACCEPTED BY BUILDING OWNERS IN ACCORDANCE WITH STO'S WARRANTY PROGRAMS WHICH ARE SUBJECT TO CHANGE FROM TIME TO TIME. For the fullest, most current information on proper application, clean-up, mixing and other specifications and warranties, cautions and disclaimers, please refer to the Sto Corp. website, [www.stocorp.com](http://www.stocorp.com).



# reStore Stucco

## Projecting Feature - Flat Slope Repair

Detail No.: 72.20.73  
Date: November 2015



**Notes:**

1. Use this detail to add slope to flat tops of existing feature bands, not wider than 2 inches (50 mm), for compliance with minimum 1:2 (27 degree) slope requirement for textured finish.
2. Clean surface in accordance with Sto Specification RC 100 to remove all bond inhibiting materials including dust, dirt, oils, salts, mold, mildew and algae.
3. Adhere foam wedge (EPS or XPS) using Sto Adhesive.
4. Apply new reinforced base coat, primer, and finish in accordance with Sto Specification R 501.
5. Refer to current Sto specifications and product bulletins for additional information regarding handling, mixing and application of Sto materials.

**IMPORTANT:** Components not identified as Sto are furnished by other manufacturers and are not necessarily installed by trades who install the Sto products. Refer to project specific contract documents.

[www.stocorp.com](http://www.stocorp.com)

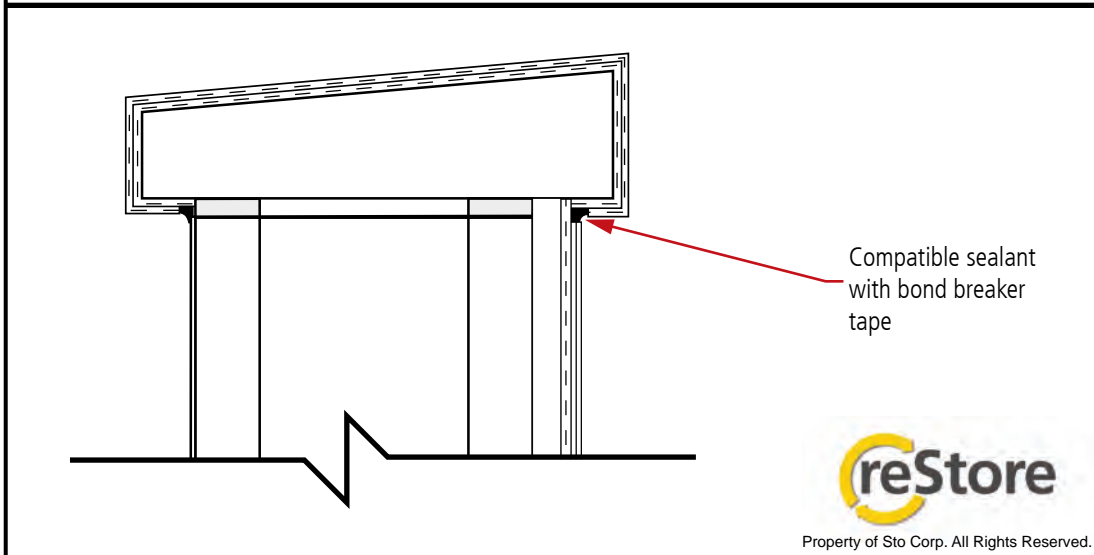
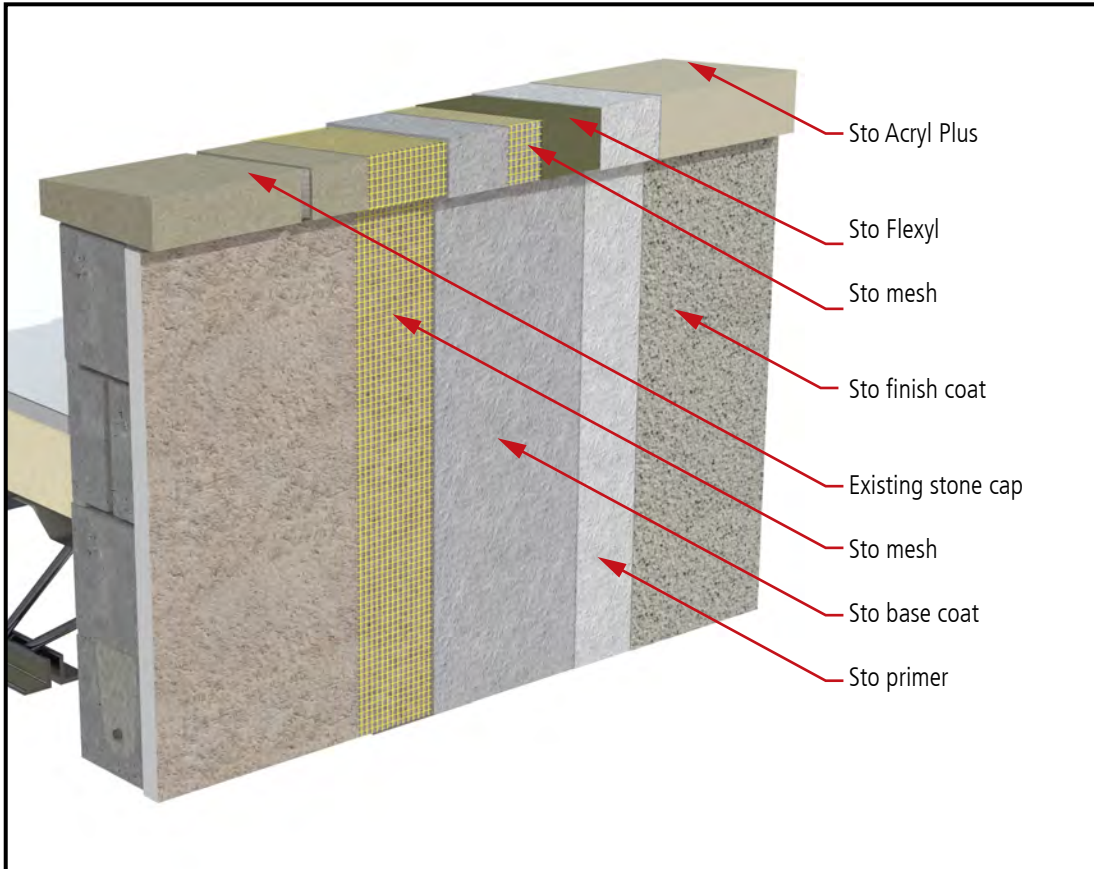
**ATTENTION**

Sto products are intended for use by qualified professional contractors, not consumers, as a component of a larger construction assembly as specified by a qualified design professional, general contractor or builder. They should be installed in accordance with those specifications and Sto's instructions. Sto Corp. disclaims all, and assumes no, liability for on-site inspections, for its products applied improperly, or by unqualified persons or entities, or as part of an improperly designed or constructed building, for the nonperformance of adjacent building components or assemblies, or for other construction activities beyond Sto's control. Improper use of Sto products or use as part of an improperly designed or constructed larger assembly or building may result in serious damage to Sto products, and to the structure of the building or its components.

STO CORP. DISCLAIMS ALL WARRANTIES EXPRESSED OR IMPLIED EXCEPT FOR EXPLICIT LIMITED WRITTEN WARRANTIES ISSUED TO AND ACCEPTED BY BUILDING OWNERS IN ACCORDANCE WITH STO'S WARRANTY PROGRAMS WHICH ARE SUBJECT TO CHANGE FROM TIME TO TIME. For the fullest, most current information on proper application, clean-up, mixing and other specifications and warranties, cautions and disclaimers, please refer to the Sto Corp. website, [www.stocorp.com](http://www.stocorp.com).

# reStore Stucco Parapet Cap Repair

Detail No.: 72.20.80  
Date: November 2015



Notes:

1. Sto recommends use of metal coping to correct leaking parapet caps. However, the application shown provides an option where metal coping is not specified by the designer.
2. Clean existing stone cap to remove all dust, dirt, mold, mildew, oils, salts, or other bond inhibiting materials.
3. If necessary repair damaged cap stones or repair anchorage of stones to the wall.
4. Apply Sto Dispersion Adhesive wash to glazed tile or terra cotta cap. Dilute Sto Dispersion Adhesive 10 percent with clean water and roll onto surface. Apply next coating layer as soon as the Sto Dispersion wash has dried.
5. Apply Sto base coat and Sto Mesh to cap surface. Use Sto BTS Xtra base coat where joints between cap units require more than 1/8 in. (3.2 mm) to bring surface to an even plane.
6. Apply Sto Flexyl waterproof base coat with Sto Mesh to parapet cap. Return Sto Flexyl and Sto Mesh minimum 2 inches onto wall on both sides of parapet, OR terminate Sto Flexyl and Sto Mesh at interface with wall and seal with compatible sealant as shown in section detail.
7. Apply Sto Primer (optional)
8. Apply 2 coats of StoCoat Acryl Plus to the dry Sto Flexyl.
9. All mixing, installation, and curing of Sto products must comply with written specifications and literature available at [www.stocorp.com](http://www.stocorp.com).

**IMPORTANT:** Components not identified as Sto are furnished by other manufacturers and are not necessarily installed by trades who install the Sto products. Refer to project specific contract documents.

**ATTENTION**

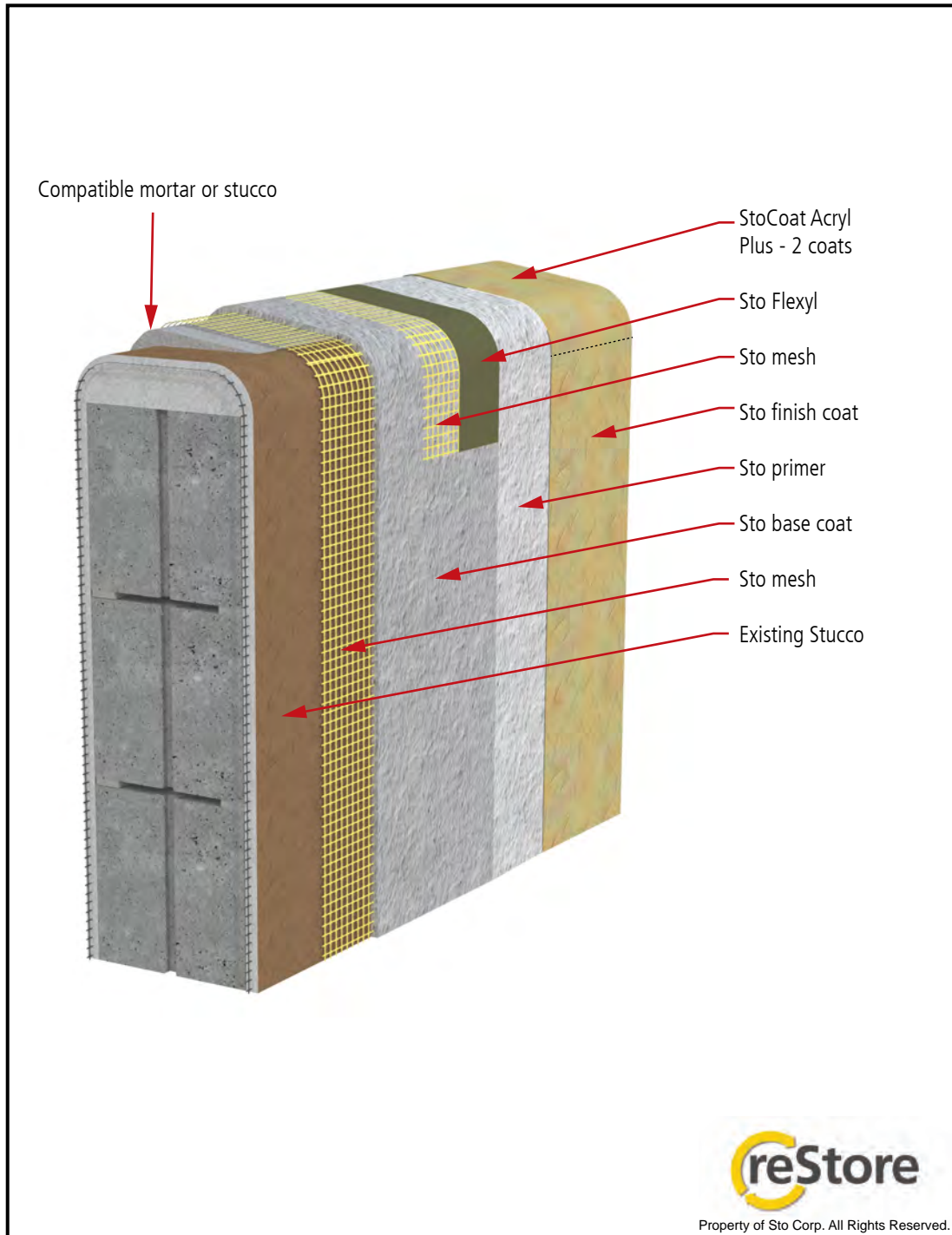
Sto products are intended for use by qualified professional contractors, not consumers, as a component of a larger construction assembly as specified by a qualified design professional, general contractor or builder. They should be installed in accordance with those specifications and Sto's instructions. Sto Corp. disclaims all, and assumes no, liability for on-site inspections, for its products applied improperly, or by unqualified persons or entities, or as part of an improperly designed or constructed building, for the nonperformance of adjacent building components or assemblies, or for other construction activities beyond Sto's control. Improper use of Sto products or use as part of an improperly designed or constructed larger assembly or building may result in serious damage to Sto products, and to the structure of the building or its components.

STO CORP. DISCLAIMS ALL WARRANTIES EXPRESSED OR IMPLIED EXCEPT FOR EXPLICIT LIMITED WRITTEN WARRANTIES ISSUED TO AND ACCEPTED BY BUILDING OWNERS IN ACCORDANCE WITH STO'S WARRANTY PROGRAMS WHICH ARE SUBJECT TO CHANGE FROM TIME TO TIME. For the fullest, most current information on proper application, clean-up, mixing and other specifications and warranties, cautions and disclaimers, please refer to the Sto Corp. website, [www.stocorp.com](http://www.stocorp.com).

# reStore Stucco

## Repair of Stucco Parapets and Un-capped Walls

Detail No.: 72.20.81  
Date: December 2015



Notes:

1. In all cases, use of a properly secured metal parapet cap is recommended on parapet walls. However, this detail provides an alternate means of waterproofing an existing un-capped parapet or wall. This condition is prevalent in certain geographic regions and its use should be limited to arid climates.
2. Clean existing surfaces to remove all dust, dirt, loose materials, and other potential bond-inhibiting materials.
3. Repair cracks and spalls of the existing stucco.
4. If parapet top is flat, apply stucco brown coat or suitable cementitious repair mortar to create a slope. Angle slope such that water is directed onto the roof surface or away from the elevation which is most often viewed.
5. Apply Sto base coat with Sto mesh embedded to the entire wall, overlapping the Sto Flexyl application.
6. Apply Sto Flexyl waterproof base coat and embed Sto mesh across the top of the parapet and extending minimum 12-inches (305 mm) down the wall surface on both sides.
7. Apply Sto Primer and Sto finish.
8. Apply two coats of StoCoat Acryl Plus tinted to match finish to the top surfaces.

**IMPORTANT:** Components not identified as Sto are furnished by other manufacturers and are not necessarily installed by trades who install the Sto products. Refer to project specific contract documents.

[www.stocorp.com](http://www.stocorp.com)

**ATTENTION**

Sto products are intended for use by qualified professional contractors, not consumers, as a component of a larger construction assembly as specified by a qualified design professional, general contractor or builder. They should be installed in accordance with those specifications and Sto's instructions. Sto Corp. disclaims all, and assumes no, liability for on-site inspections, for its products applied improperly, or by unqualified persons or entities, or as part of an improperly designed or constructed building, for the nonperformance of adjacent building components or assemblies, or for other construction activities beyond Sto's control. Improper use of Sto products or use as part of an improperly designed or constructed larger assembly or building may result in serious damage to Sto products, and to the structure of the building or its components.

STO CORP. DISCLAIMS ALL WARRANTIES EXPRESSED OR IMPLIED EXCEPT FOR EXPLICIT LIMITED WRITTEN WARRANTIES ISSUED TO AND ACCEPTED BY BUILDING OWNERS IN ACCORDANCE WITH STO'S WARRANTY PROGRAMS WHICH ARE SUBJECT TO CHANGE FROM TIME TO TIME. For the fullest, most current information on proper application, clean-up, mixing and other specifications and warranties, cautions and disclaimers, please refer to the Sto Corp. website, [www.stocorp.com](http://www.stocorp.com).

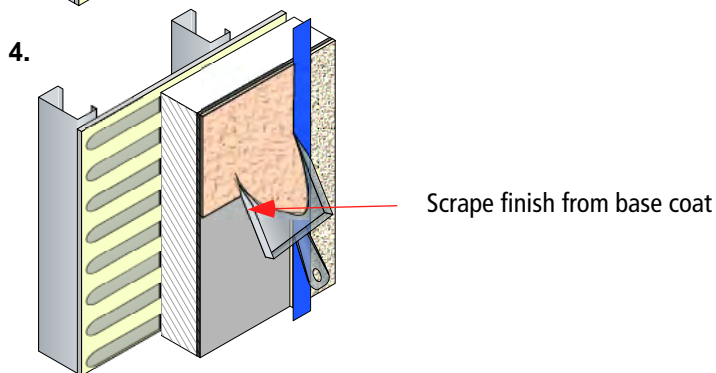
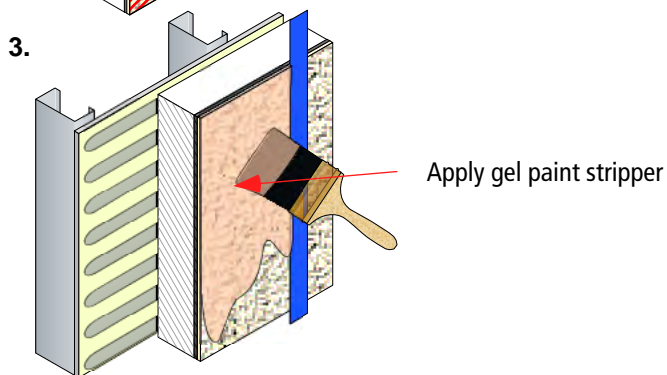
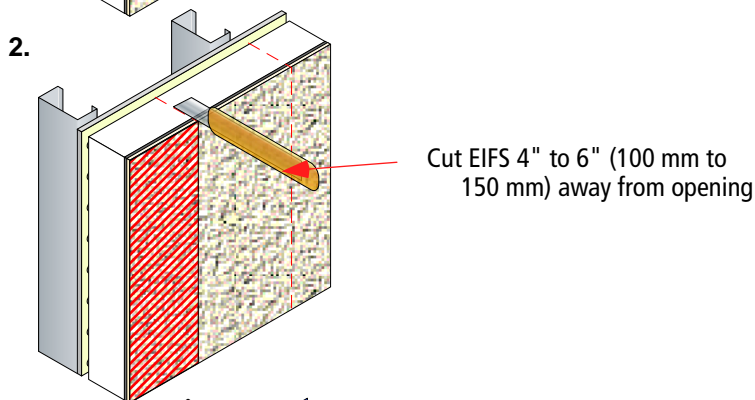
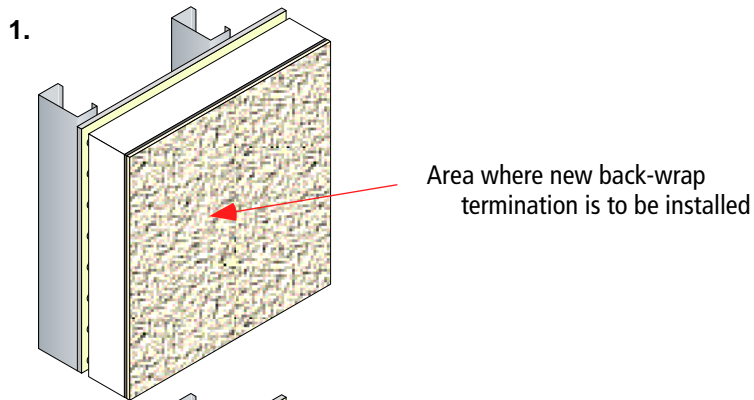


# Sto reStore

## New back-wrap termination

Detail No.: 72.50

Date: December 2010



1. Procedure illustrates steps to install a new back-wrap termination or replace an existing one.

2. Mark area to be cut away. Cut EIFS through finish, base coat, mesh, and insulation to the substrate, and remove them. Clean remaining adhesive from the substrate.

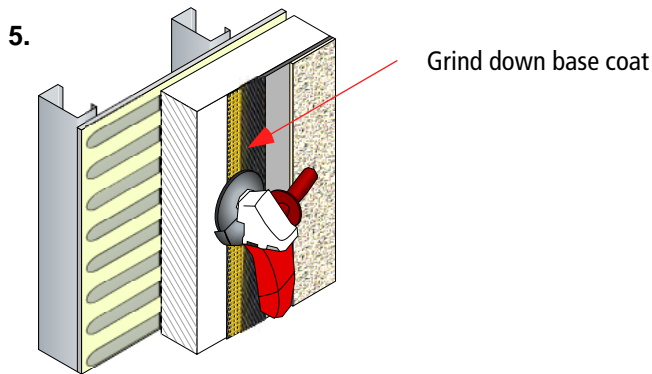
Note: Inspect the substrate for damage. If the substrate is damaged do not proceed until the extent of the damage and scope of required repair is determined.

3. Mark off the area 3" (75 mm) from the edges of the new opening. Install masking tape tightly to that edge.

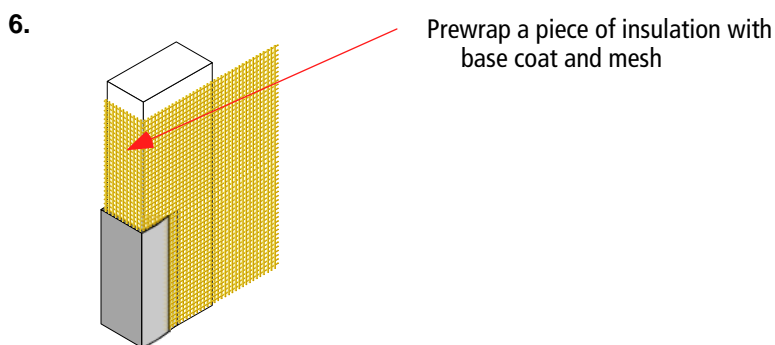
Apply a water-based gel paint stripper to the area between the masking tape and the newly cut edge.

Protect adjacent areas from spillage.

4. Scrape the softened finish from the base coat, leaving a neat edge at the masking tape. Rinse off any remaining paint stripper using clean water.



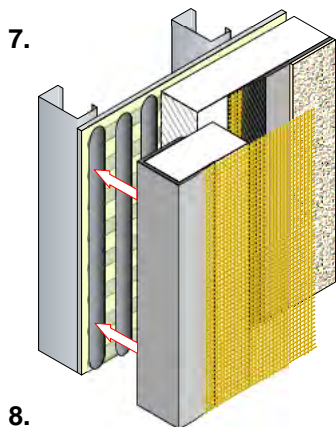
5. Grind the edge surface of the base coat away from the cut edge exposing the reinforcing mesh.



6. To complete a neat finished edge the replacement piece of insulation may be pre-wrapped with base coat and mesh. Apply base coat to the back of the insulation and the exposed edge, and feather it onto the face.

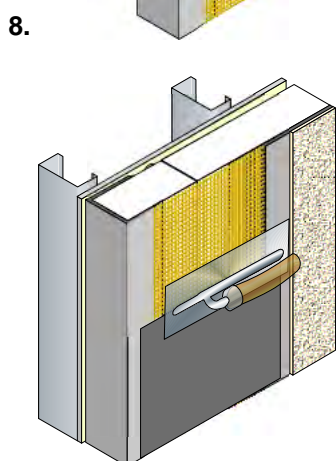
Immediately trowel in a piece of reinforcing mesh that will extend beyond the face of the insulation piece a minimum 3" (75 mm). Keep the free end of the mesh clean and free of base coat debris.

Allow the pre-wrapped piece to dry.



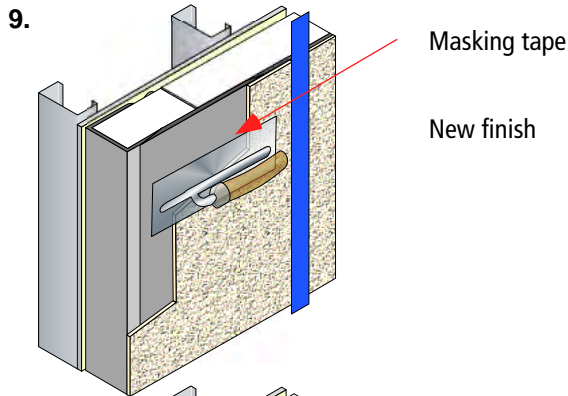
7. Install the pre-wrapped piece using vertical ribbons of adhesive at a jamb face and head face of an opening. Use horizontal ribbons of adhesive at a sill. The specified direction of the adhesive ribbons will hinder water entry at the jambs and sill of the opening and allow it to drain at the head. If the installation is a barrier design (no drainage capacity), then use horizontal ribbons at the head.

Allow the adhesive to dry a minimum of 24 hours.



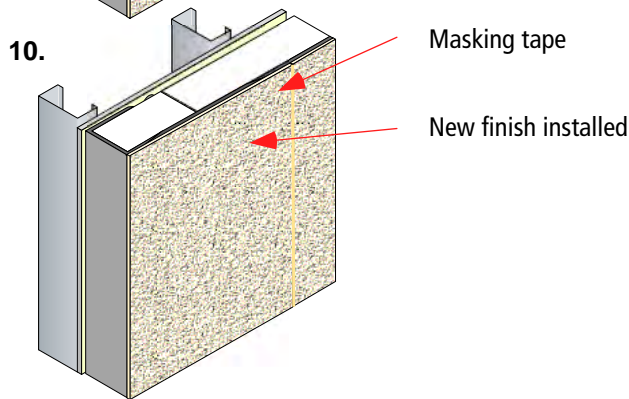
8. Holding the mesh back, apply new base coat material to the exposed foam and existing base coat where the mesh has been exposed. Immediately release the mesh and trowel it into the wet base coat so that mesh overlaps a minimum of 2.5" (65 mm). Trowel the base coat smooth and even with the existing base coat surface.





9. Re-mask the area around the edge of the finish. Install new finish within area protected by the masking tape. Immediately remove the masking tape and blend the new finish into the existing with a brush or other appropriate tool.

Note: Do not apply finish to the exposed end of the EIFS if the end is to receive sealant.



10. Protect the new finish until dry.

Depending on the age of the original finish, the repair may remain visible as a repair. Texture may be slightly different from the original and the color may differ slightly. Over time the repair will 'weather in' and be less noticeable.

If a more uniform finish is required, refer to ReStore Detail 72.01 Recoat with Smooth Coating or 72.02 Rebase with Texture Coating for alternate finishing procedures.

**Sto Corp.**  
 3800 Camp Creek Parkway  
 Building 1400, Suite 120  
 Atlanta, GA 30331  
 Phone 404-346-3666  
 Toll Free 888-786-3437  
 Fax 404-346-3119  
[www.stocorp.com](http://www.stocorp.com)

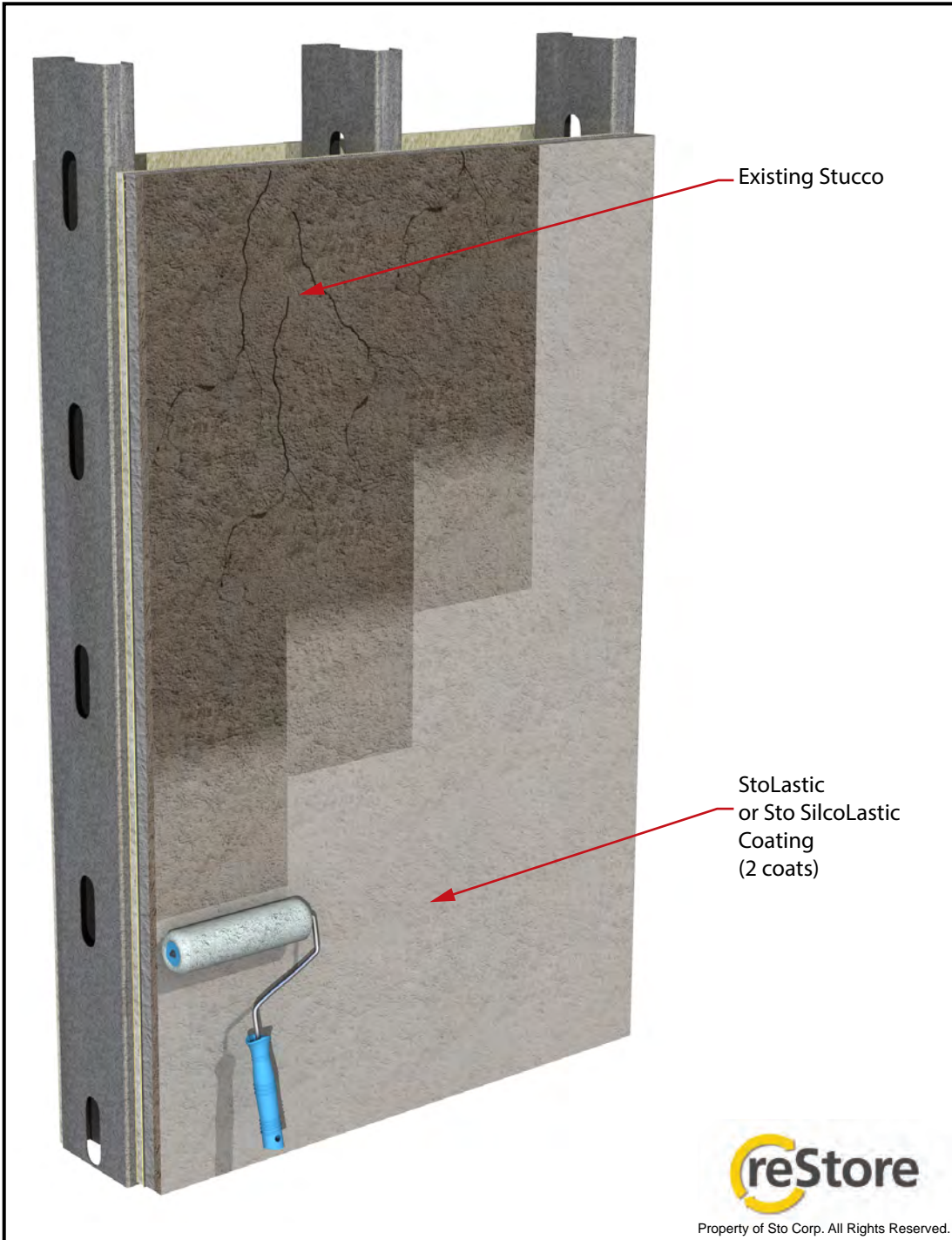
### Attention

Sto products are intended for use by qualified professional contractors, not consumers, as a component of a larger construction assembly as specified by a qualified design professional, general contractor or builder. They should be installed in accordance with those specifications and Sto's instructions. Sto Corp. disclaims all, and assumes no, liability for on-site inspections, for its products applied improperly, or by unqualified persons or entities, or as part of an improperly designed or constructed building, for the nonperformance of adjacent building components or assemblies, or for other construction activities beyond Sto's control. Improper use of Sto products or use as part of an improperly designed or constructed larger assembly or building may result in serious damage to Sto products, and to the structure of the building or its components. **STO CORP DISCLAIMS ALL WARRANTIES EXPRESS OR IMPLIED EXCEPT FOR EXPLICIT LIMITED WRITTEN WARRANTIES ISSUED TO AND ACCEPTED BY BUILDING OWNERS IN ACCORDANCE WITH STO'S WARRANTY PROGRAMS WHICH ARE SUBJECT TO CHANGE FROM TIME TO TIME.** For the fullest, most current information on proper application, clean-up, mixing and other specifications and warranties, cautions and disclaimers, please refer to the Sto Corp. website, [www.stocorp.com](http://www.stocorp.com).

# reStore Stucco

## Clean and Recoat (cracks $\leq$ 1/32-in. (1 m))

Detail No.: 72.10.00  
Date: September 2014



**Notes:**

1. Detail shows recoating of existing stucco which has fine, static cracks measuring less than 1/32-inch (1 mm) wide. Sto Detail 72.20.01 provides guidance for repair of cracks up to 1/8-inch (3.2 mm) wide.
2. Clean surface of the existing stucco to remove all soil, dust, dirt, atmospheric deposits, algae, mildew and any other surface contaminants that would inhibit bond of the new coating. Comply with Sto cleaning instructions available at [www.stocorp.com](http://www.stocorp.com), and Sto reStore cleaning specification RC100.
3. Surface must be completely dry before coating. Cracks may hold water from cleaning which could be detrimental to successful coating application and performance. Ensure that surface is completely dry before starting to recoat.
4. Apply two coats of Sto architectural finish coating. Consult Sto published information and your local Sto representative for assistance selecting the appropriate Sto coating.
5. This is a conceptual detail and does not purport to show all possible conditions which may be encountered. A thorough pre-construction evaluation, including crack measurement at selected locations, is recommended to fully evaluate the cause and full extent of visible distress. The pre-construction evaluation should be conducted by a qualified restoration construction professional or qualified restoration contractor with experience performing similar work to that anticipated for the subject project.
6. This detail is a guideline detail to present options for using Sto products to address repair of visible distress. This detail must be approved by the project design professional.
7. All mixing, installation and curing of Sto products must comply with written specifications and product literature available at [www.stocorp.com](http://www.stocorp.com).

**IMPORTANT:** Components not identified as Sto are furnished by other manufacturers and are not necessarily installed by trades who install the Sto products. Refer to project specific contract documents.

[www.stocorp.com](http://www.stocorp.com)

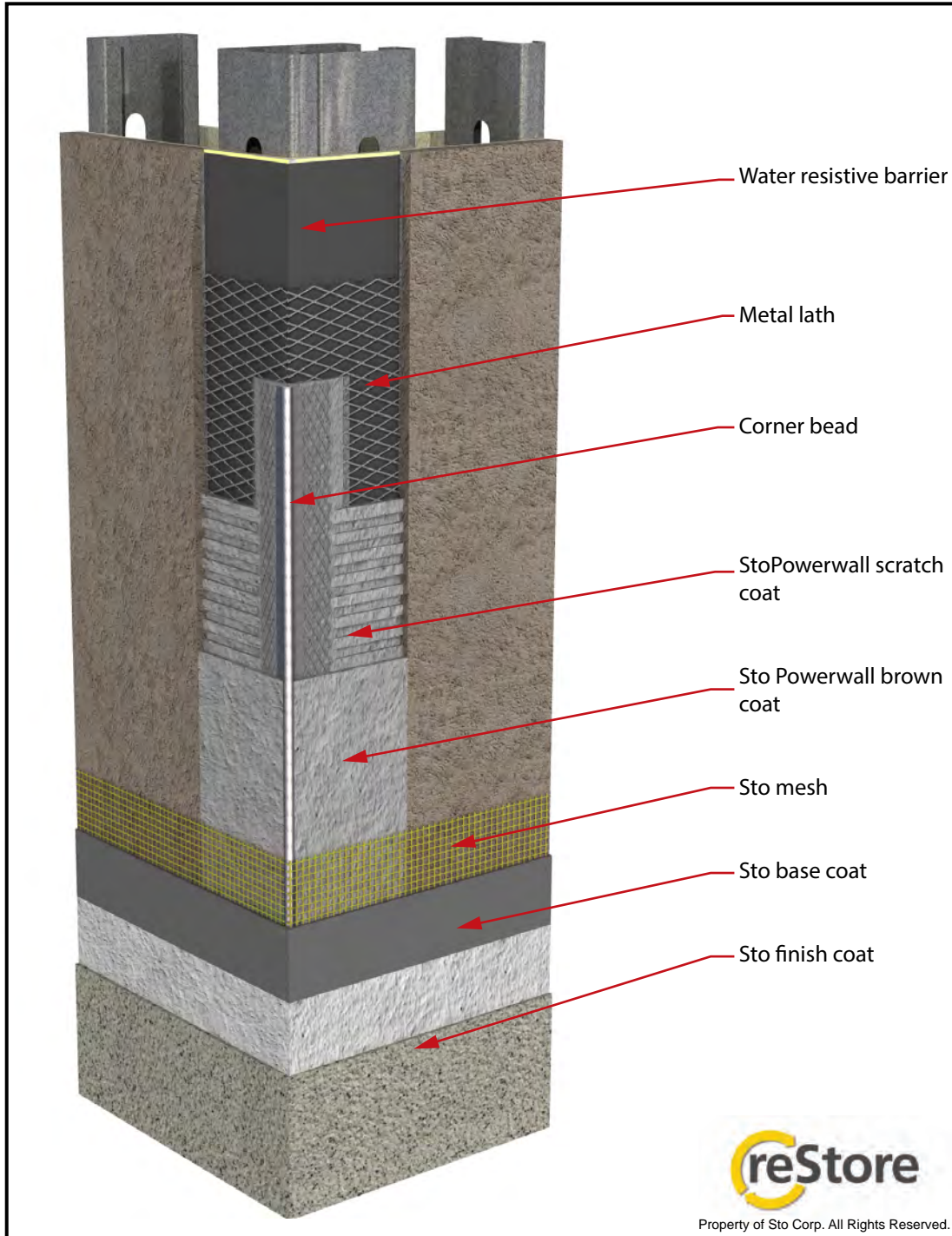
**ATTENTION**

Sto products are intended for use by qualified professional contractors, not consumers, as a component of a larger construction assembly as specified by a qualified design professional, general contractor or builder. They should be installed in accordance with those specifications and Sto's instructions. Sto Corp. disclaims all, and assumes no, liability for on-site inspections, for its products applied improperly, or by unqualified persons or entities, or as part of an improperly designed or constructed building, for the nonperformance of adjacent building components or assemblies, or for other construction activities beyond Sto's control. Improper use of Sto products or use as part of an improperly designed or constructed larger assembly or building may result in serious damage to Sto products, and to the structure of the building or its components.

**STO CORP. DISCLAIMS ALL WARRANTIES EXPRESSED OR IMPLIED EXCEPT FOR EXPLICIT LIMITED WRITTEN WARRANTIES ISSUED TO AND ACCEPTED BY BUILDING OWNERS IN ACCORDANCE WITH STO'S WARRANTY PROGRAMS WHICH ARE SUBJECT TO CHANGE FROM TIME TO TIME.** For the fullest, most current information on proper application, clean-up, mixing and other specifications and warranties, cautions and disclaimers, please refer to the Sto Corp. website, [www.stocorp.com](http://www.stocorp.com).

# reStore Stucco Corner Bead Repair

Detail No.: 72.20.20  
Date: September 2014



**Notes:**

1. Detail shows general steps in removal and replacement of damaged or rusting stucco corner bead, where existing lath can be left in-place.
2. Identify locations for corner bead replacement. Mark areas for stucco removal, vertically minimum 6-inches (150 mm) above and below extent of damaged corner bead and laterally minimum 4-inches (100 mm) from corner in each direction.
3. Remove stucco and damaged corner bead. Remove stucco brown coat sufficiently to permit wire-tying the new corner bead section into place.
4. Insert replacement corner bead and wire-tie to lath. Set ends of replacement corner bead in sealant. Verify alignment of accessory with corner beads above and below repair to provide a straight corner.
5. Apply Sto Powerwall scratch coat, filling behind the corner bead completely.
6. Apply Sto Powerwall brown coat, as soon as scratch coat is firm enough to receive the brown coat.
7. Apply Sto base coat and Sto Mesh to surface of wall. Consult Sto published information or your local Sto representative to select the appropriate Sto base coat product for compatibility with the existing finish.
8. Apply Sto Primer and allow to dry minimum 12 hours.
9. Apply Sto Finish. Consult with Sto published information and your local Sto representative to select the appropriate Sto finish product.
10. This is a conceptual detail and does not purport to show all possible conditions which may be encountered. A thorough pre-construction evaluation, including test cuts at selected locations, is recommended to fully evaluate the cause and full extent of visible distress. The pre-construction evaluation should be conducted by a qualified restoration construction professional or qualified restoration contractor with experience performing similar work to that anticipated for the subject project.
11. This detail is a guideline detail to present options for using Sto products to address repair of visible distress. This detail must be approved by the project design professional.
12. All mixing, installation and curing of Sto products must comply with written specifications and product literature available at [www.stocorp.com](http://www.stocorp.com).

**IMPORTANT:** Components not identified as Sto are furnished by other manufacturers and are not necessarily installed by trades who install the Sto products. Refer to project specific contract documents.

**ATTENTION**

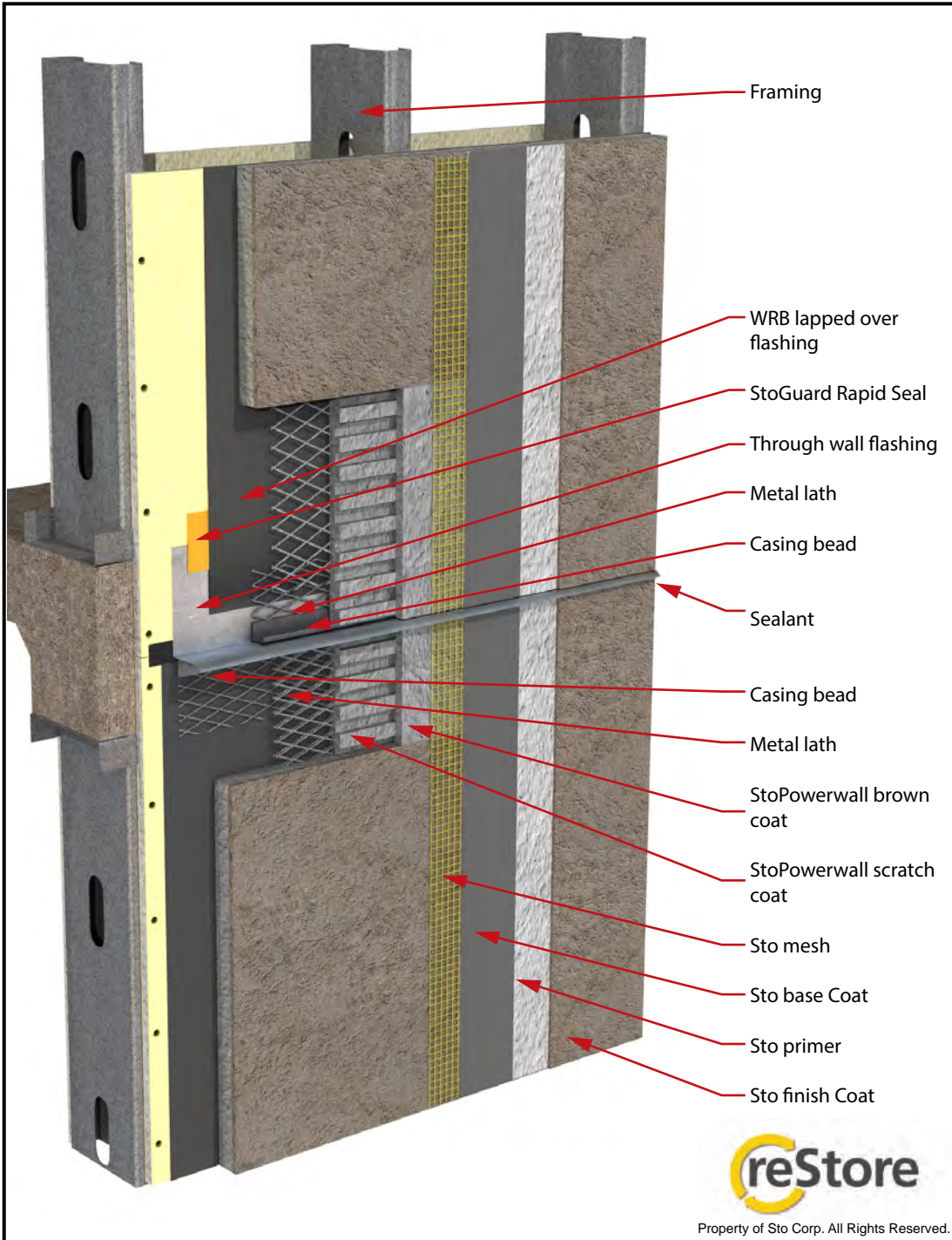
Sto products are intended for use by qualified professional contractors, not consumers, as a component of a larger construction assembly as specified by a qualified design professional, general contractor or builder. They should be installed in accordance with those specifications and Sto's instructions. Sto Corp. disclaims all, and assumes no, liability for on-site inspections, for its products applied improperly, or by unqualified persons or entities, or as part of an improperly designed or constructed building, for the nonperformance of adjacent building components or assemblies, or for other construction activities beyond Sto's control. Improper use of Sto products or use as part of an improperly designed or constructed larger assembly or building may result in serious damage to Sto products, and to the structure of the building or its components.

**STO CORP. DISCLAIMS ALL WARRANTIES EXPRESSED OR IMPLIED EXCEPT FOR EXPLICIT LIMITED WRITTEN WARRANTIES ISSUED TO AND ACCEPTED BY BUILDING OWNERS IN ACCORDANCE WITH STO'S WARRANTY PROGRAMS WHICH ARE SUBJECT TO CHANGE FROM TIME TO TIME.** For the fullest, most current information on proper application, clean-up, mixing and other specifications and warranties, cautions and disclaimers, please refer to the Sto Corp. website, [www.stocorp.com](http://www.stocorp.com).



# reStore Stucco Through-Wall Flashing Repair/Installation

Detail No.: 72.20.30  
Date: September 2014



**Notes:**

1. Detail shows configuration of flashing that has been inserted between casing beads in two-piece stucco control joint.
2. Remove stucco along joint to a width as needed to permit insertion of new or replacement flashing. Vertical leg of new flashing shall be minimum 2-inches.
3. Remove existing casing bead or cut casing bead fasteners to permit insertion of flashing.
4. Slide vertical leg of flashing behind casing bead, lath and water-resistive barrier and then fasten flashing to studs. (The existing lath and water-resistive barrier may be temporarily separated from the substrate to permit completion of the flashing installation. They will be replaced in the same sequence as the original construction when the flashing is in-place and sealed.)
5. Seal top edge of flashing and flashing fasteners with StoGuard RapidSeal.
6. Install new casing bead or refasten existing bead. If fasteners penetrate flashing, seal lath fasteners with StoGuard RapidSeal.
7. Lap water resistive barrier over top edge of flashing and reposition lath.
8. Wire-tie lath to casing bead in accordance with ASTM C 1063.
9. Install and cure Sto Powerwall scratch coat and brown coat.
10. Apply Sto base coat and mesh.
11. Apply Sto finish.
12. This is a conceptual detail and does not purport to show all possible conditions which may be encountered. A thorough pre-construction evaluation, including test cuts at selected locations is recommended to fully evaluate the cause and full extent of distress. The pre-construction evaluation should be conducted by a qualified restoration construction professional or qualified restoration contractor with experience performing similar work to that anticipated for the subject project.
13. This is a guideline detail to present options for using Sto products to address repair of visible distress. This detail must be approved by the project design professional.
14. All mixing, installation and curing of Sto products must comply with written specifications and product literature available at [www.stocorp.com](http://www.stocorp.com)

**IMPORTANT:** Components not identified as Sto are furnished by other manufacturers and are not necessarily installed by trades who install the Sto products. Refer to project specific contract documents.

Property of Sto Corp. All Rights Reserved.

[www.stocorp.com](http://www.stocorp.com)

**ATTENTION**

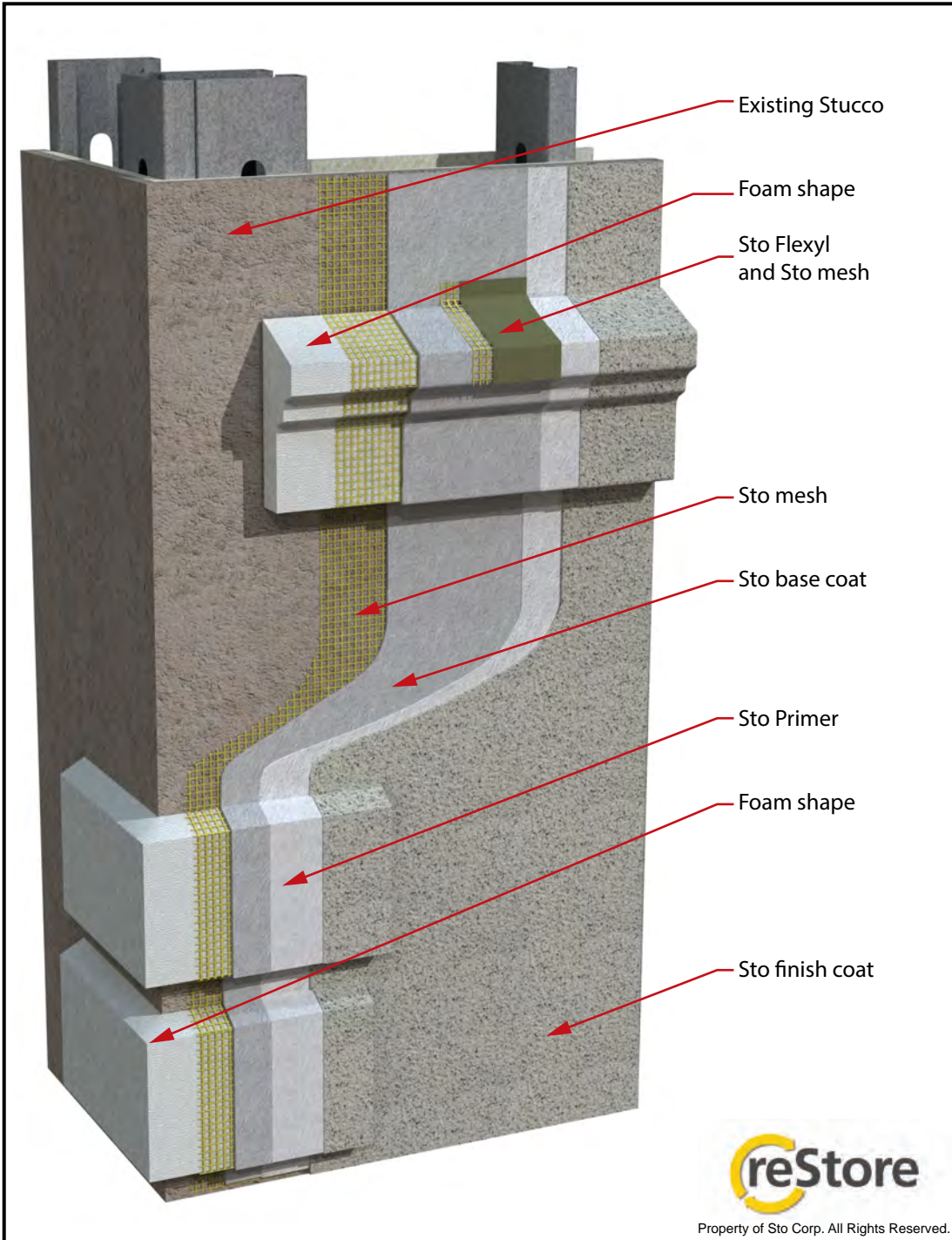
Sto products are intended for use by qualified professional contractors, not consumers, as a component of a larger construction assembly as specified by a qualified design professional, general contractor or builder. They should be installed in accordance with those specifications and Sto's instructions. Sto Corp. disclaims all, and assumes no, liability for on-site inspections, for its products applied improperly, or by unqualified persons or entities, or as part of an improperly designed or constructed building, for the nonperformance of adjacent building components or assemblies, or for other construction activities beyond Sto's control. Improper use of Sto products or use as part of an improperly designed or constructed larger assembly or building may result in serious damage to Sto products, and to the structure of the building or its components.

**STO CORP. DISCLAIMS ALL WARRANTIES EXPRESSED OR IMPLIED EXCEPT FOR EXPLICIT LIMITED WRITTEN WARRANTIES ISSUED TO AND ACCEPTED BY BUILDING OWNERS IN ACCORDANCE WITH STO'S WARRANTY PROGRAMS WHICH ARE SUBJECT TO CHANGE FROM TIME TO TIME.** For the fullest, most current information on proper application, clean-up, mixing and other specifications and warranties, cautions and disclaimers, please refer to the Sto Corp. website, [www.stocorp.com](http://www.stocorp.com).

# reStore Stucco

## Adding Foam Architectural Shapes

Detail No.:72.20.70  
Date: September 2015



**Notes:**

1. Detail shows addition of foam shapes and features to existing stucco wall.
2. Limit maximum thickness of foam shapes to 12 inches (305 mm), or as required by applicable local building codes.
3. Shapes may be attached with Sto adhesive or with mechanical fasteners designed for use in EIFS construction. Large adhesively fastened foam shapes may require supplemental mechanical fasteners to hold the shape in position until adhesive has cured. All mechanical fasteners must be installed into framing or sufficiently strong substrate material.
4. Thoroughly clean surfaces to receive adhesive, removing all dust, dirt, oil, mildew, algae or other bond-inhibiting materials.
5. Surface-mounted shapes are not intended to have drainage behind the foam.
6. Slope top surfaces of shapes away from the wall to promote deflection of surface water.
7. Shapes which project more than 2 inches (50 mm) from the vertical surface must be sloped minimum 1:2 (27 degrees).
8. Shapes which project more than 4 inches (100 mm) from the vertical surface must have Sto Flexyl waterproof base coat applied to the top surface and lapped onto the vertical wall above the shape as shown.
9. All mixing, installation and curing of Sto products must comply with written specifications and literature available at [www.stocorp.com](http://www.stocorp.com).

**IMPORTANT:** Components not identified as Sto are furnished by other manufacturers and are not necessarily installed by trades who install the Sto products. Refer to project specific contract documents.

[www.stocorp.com](http://www.stocorp.com)

**ATTENTION**

Sto products are intended for use by qualified professional contractors, not consumers, as a component of a larger construction assembly as specified by a qualified design professional, general contractor or builder. They should be installed in accordance with those specifications and Sto's instructions. Sto Corp. disclaims all, and assumes no, liability for on-site inspections, for its products applied improperly, or by unqualified persons or entities, or as part of an improperly designed or constructed building, for the nonperformance of adjacent building components or assemblies, or for other construction activities beyond Sto's control. Improper use of Sto products or use as part of an improperly designed or constructed larger assembly or building may result in serious damage to Sto products, and to the structure of the building or its components.

**STO CORP. DISCLAIMS ALL WARRANTIES EXPRESSED OR IMPLIED EXCEPT FOR EXPLICIT LIMITED WRITTEN WARRANTIES ISSUED TO AND ACCEPTED BY BUILDING OWNERS IN ACCORDANCE WITH STO'S WARRANTY PROGRAMS WHICH ARE SUBJECT TO CHANGE FROM TIME TO TIME.** For the fullest, most current information on proper application, clean-up, mixing and other specifications and warranties, cautions and disclaimers, please refer to the Sto Corp. website, [www.stocorp.com](http://www.stocorp.com).

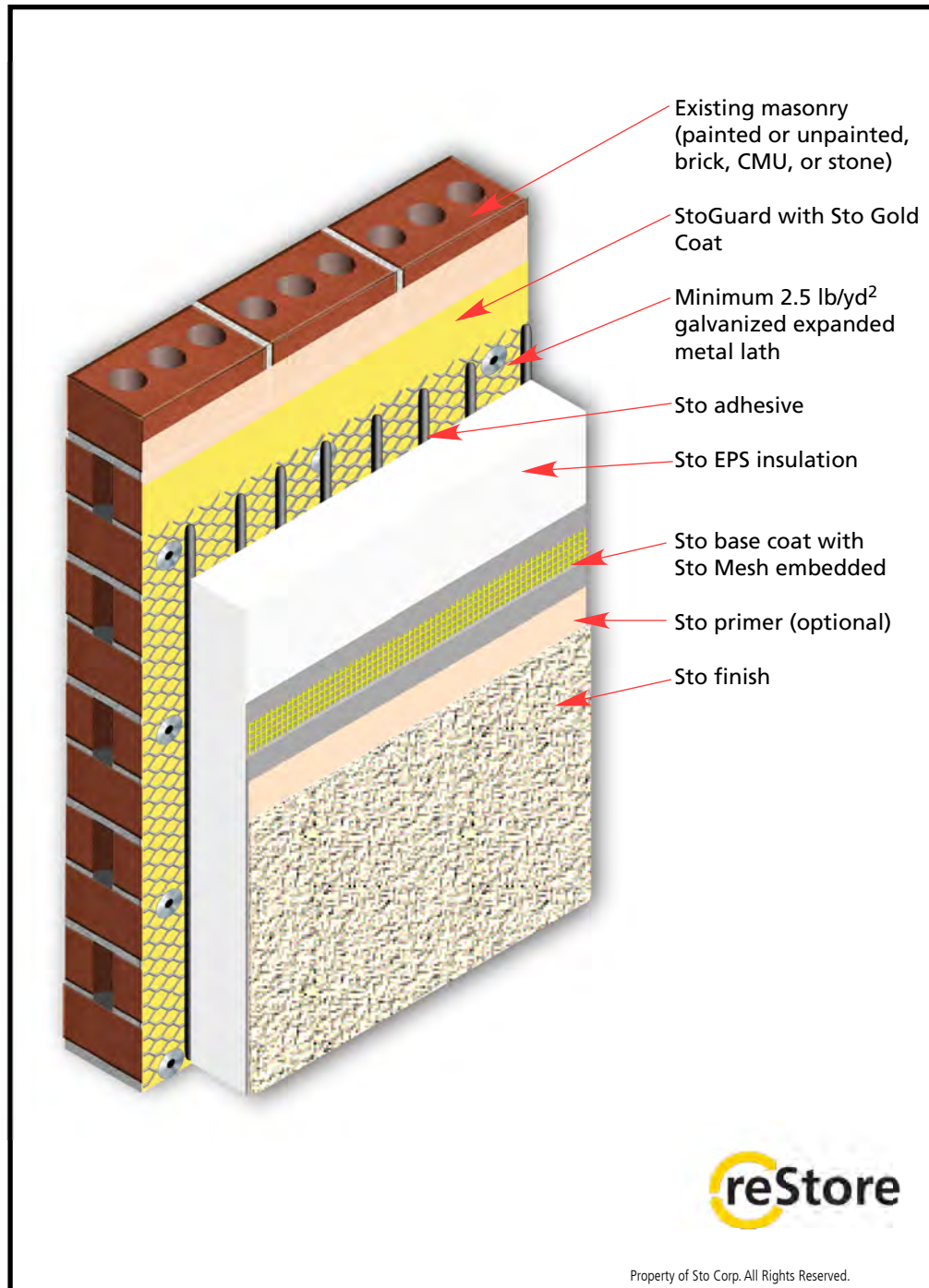


# reStore® Level 3

## StoTherm ci Application to Masonry with Lath

### System Components

Date: October 2015

**Notes:**

- 1] Prepare substrate in accordance with Sto specifications for application of StoGuard to masonry, removing all dust, dirt, efflorescence, algae, or other bond-inhibiting materials. This detail is applicable to masonry substrates including brick, CMU, split-faced CMU, painted masonry surfaces and stone masonry. Highly irregular surfaces such as split face CMU and stone masonry may require special considerations to ensure full key and bonding of adhesive to lath.
- 2] Test bond integrity of any existing paint or coatings to the substrate and verify adhesion of the StoGuard products prior to construction.
- 3] Complete all masonry repairs (crack and damage repairs, repointing, etc.) prior to application of StoGuard products.
- 4] Lath fastener type and spacing must be determined by a qualified design professional as required to comply with applicable local building codes and design wind pressure requirements.
- 5] Apply Sto adhesive to back of insulation board and press fresh adhesive immediately into lath. Complete remainder of StoTherm ci installation in accordance with Sto Specification A100G.
- 6] Sto Armor Mat high impact mesh is recommended to a minimum height of 6-ft above grade in traffic areas or any other locations where added impact resistance is desired.
- 7] Refer to Sto specifications and product bulletins and installation guides for detailed information on substrates and Sto material options.

IMPORTANT: Components not identified as Sto are furnished by other manufacturers and are not necessarily installed by trades who install the Sto products. Refer to project specific contract documents.

**ATTENTION**

Sto products are intended for use by qualified professional contractors, not consumers, as a component of a larger construction assembly as specified by a qualified design professional, general contractor or builder. They should be installed in accordance with those specifications and Sto's instructions. Sto Corp. disclaims all, and assumes no, liability for on-site inspections, for its products applied improperly, or by unqualified persons or entities, or as part of an improperly designed or constructed building, for the nonperformance of adjacent building components or assemblies, or for other construction activities beyond Sto's control. Improper use of Sto products or use as part of an improperly designed or constructed larger assembly or building may result in serious damage to Sto products, and to the structure of the building or its components.

STO CORP. DISCLAIMS ALL WARRANTIES EXPRESSED OR IMPLIED EXCEPT FOR EXPLICIT LIMITED WRITTEN WARRANTIES ISSUED TO AND ACCEPTED BY BUILDING OWNERS IN ACCORDANCE WITH STO'S WARRANTY PROGRAMS WHICH ARE SUBJECT TO CHANGE FROM TIME TO TIME. For the fullest, most current information on proper application, clean-up, mixing and other specifications and warranties, cautions and disclaimers, please refer to the Sto Corp. website, [www.stocorp.com](http://www.stocorp.com).

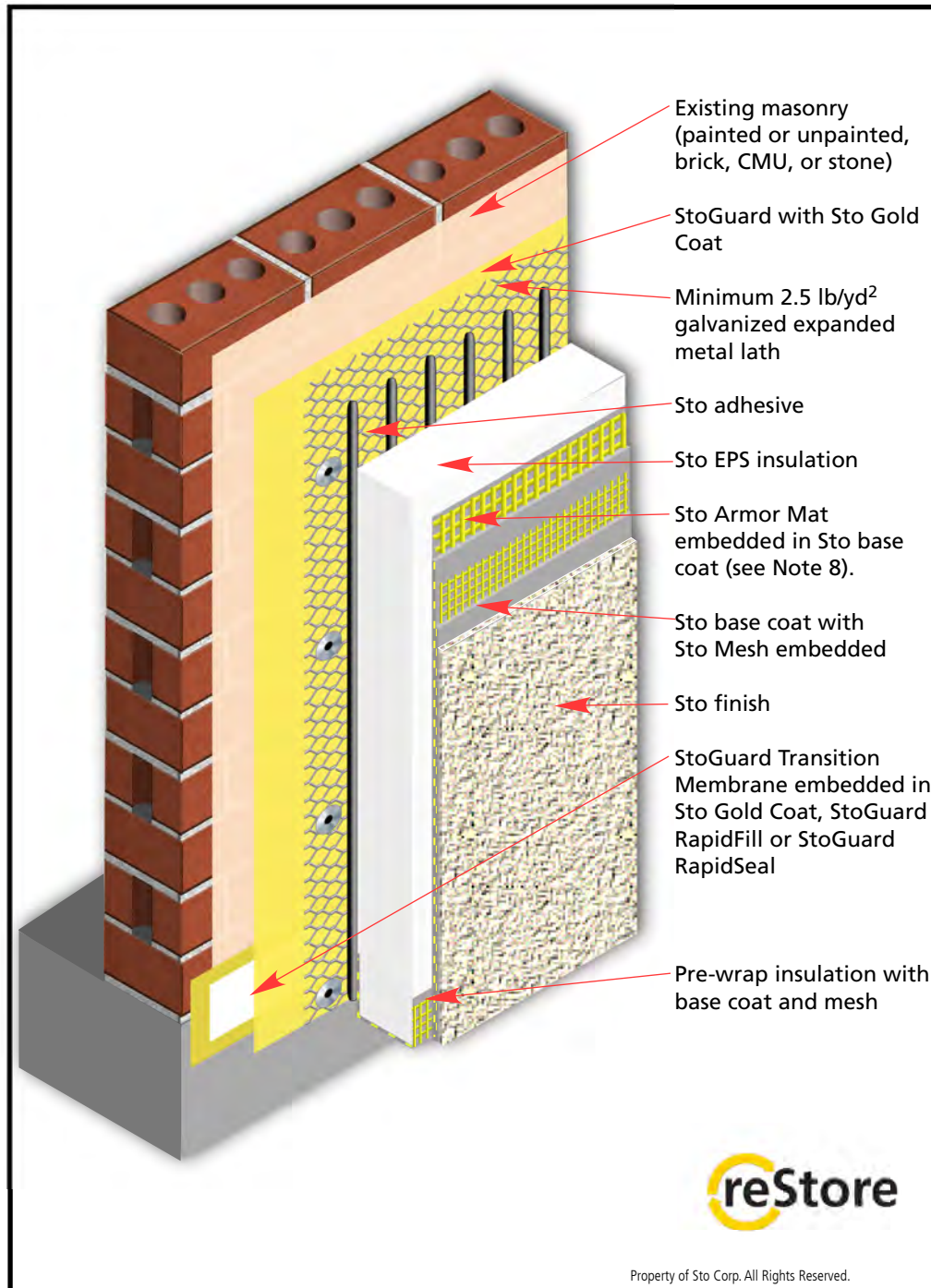
[www.stocorp.com](http://www.stocorp.com)

# reStore® Level 3

## StoTherm ci Application to Masonry with Lath

### Termination at base of wall

Date: October 2015

**Notes:**

- 1] Prepare substrate in accordance with Sto specifications for application of StoGuard to masonry, removing all dust, dirt, efflorescence, algae, or other bond-inhibiting materials. This detail is applicable to masonry substrates including brick, CMU, split-faced CMU, painted masonry surfaces and stone masonry. Highly irregular surfaces such as split face CMU and stone masonry may require special considerations to ensure full key and bonding of adhesive to lath.
- 2] Test bond integrity of any existing paint or coatings to the substrate and verify adhesion of the StoGuard products prior to construction.
- 3] Complete all masonry repairs (crack and damage repairs, repointing, etc.) prior to application of StoGuard products.
- 4] Lath fastener type and spacing must be determined by a qualified design professional as required to comply with applicable local building codes and design wind pressure requirements.
- 5] Install StoGuard Transition Membrane along top edge of foundation. See StoGuard Transition Membrane Installation Guide.
- 6] Pre-wrap edge of StoTherm ci at base of wall.
- 7] Apply Sto adhesive to back of insulation board and press fresh adhesive immediately into lath. Complete remainder of StoTherm ci installation in accordance with Sto Specification A100G.
- 8] Sto Armor Mat high impact mesh is recommended to a minimum height of 6-ft above grade in traffic areas or any other locations where added impact resistance is desired.
- 9] Refer to Sto specifications and product bulletins and installation guides for detailed information on substrates and Sto material options.

IMPORTANT: Components not identified as Sto are furnished by other manufacturers and are not necessarily installed by trades who install the Sto products. Refer to project specific contract documents.

**ATTENTION**

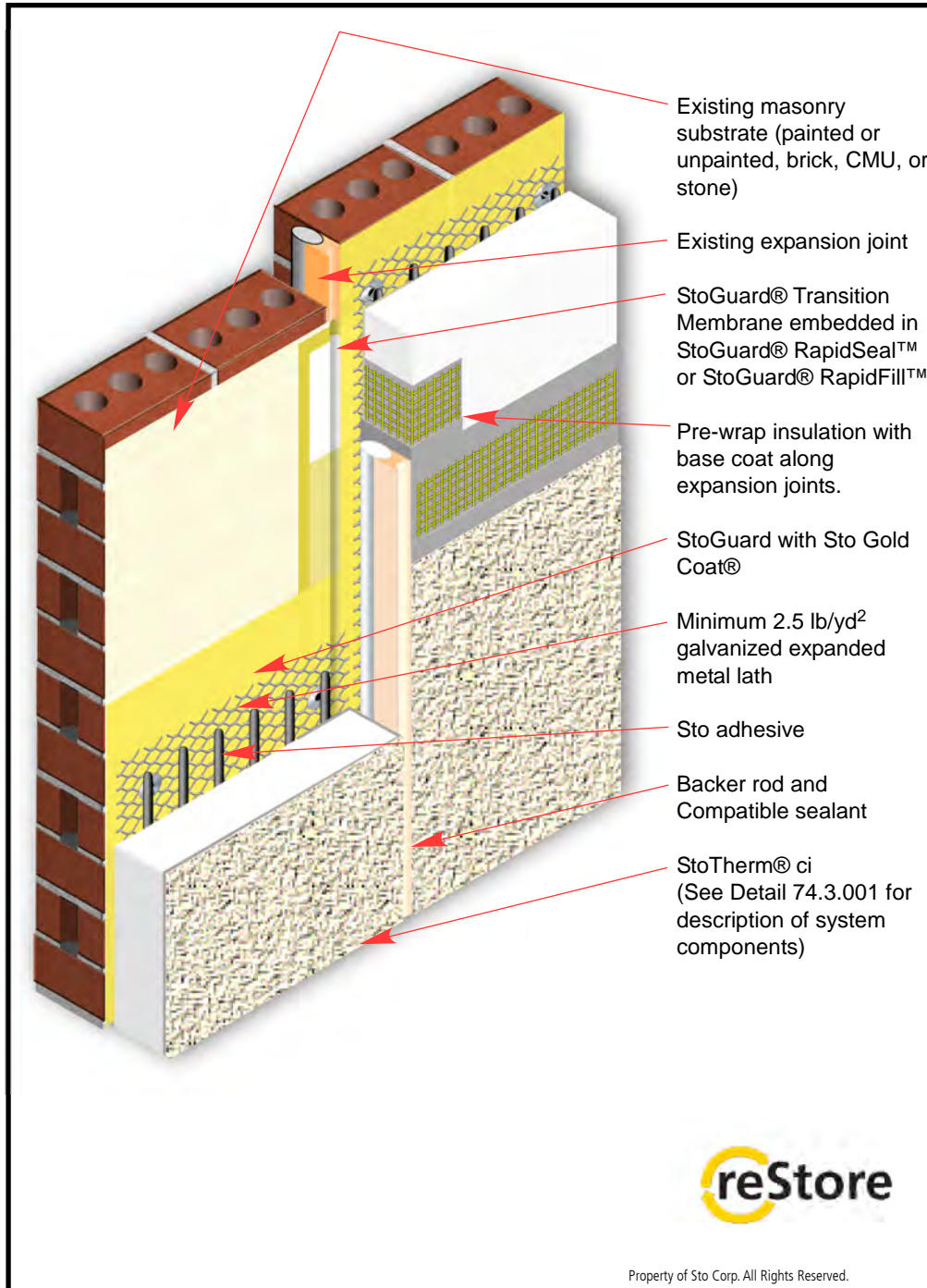
Sto products are intended for use by qualified professional contractors, not consumers, as a component of a larger construction assembly as specified by a qualified design professional, general contractor or builder. They should be installed in accordance with those specifications and Sto's instructions. Sto Corp. disclaims all, and assumes no, liability for on-site inspections, for its products applied improperly, or by unqualified persons or entities, or as part of an improperly designed or constructed building, for the nonperformance of adjacent building components or assemblies, or for other construction activities beyond Sto's control. Improper use of Sto products or use as part of an improperly designed or constructed larger assembly or building may result in serious damage to Sto products, and to the structure of the building or its components.

STO CORP. DISCLAIMS ALL WARRANTIES EXPRESSED OR IMPLIED EXCEPT FOR EXPLICIT LIMITED WRITTEN WARRANTIES ISSUED TO AND ACCEPTED BY BUILDING OWNERS IN ACCORDANCE WITH STO'S WARRANTY PROGRAMS WHICH ARE SUBJECT TO CHANGE FROM TIME TO TIME. For the fullest, most current information on proper application, clean-up, mixing and other specifications and warranties, cautions and disclaimers, please refer to the Sto Corp. website, [www.stocorp.com](http://www.stocorp.com).

[www.stocorp.com](http://www.stocorp.com)

**reStore®**  
**StoTherm® ci Application to Masonry with Lath**  
 System Components at Vertical Joint

Date: October 2015



**Notes:**

- 1] Prepare substrate in accordance with Sto specifications for application of StoGuard to masonry, removing all dust, dirt, efflorescence, algae, or other bond-inhibiting materials.
- 2] Test bond integrity of any existing paint or coatings to the substrate and verify adhesion of the StoGuard® products prior to construction.
- 3] Complete all masonry repairs (crack and damage repairs, repointing, etc.) prior to application of StoGuard products.
- 4] Lath fastener type and spacing must be determined by a qualified design professional as required to comply with applicable local building codes.
- 5] Install StoGuard Transition Membrane across sealant joints in masonry. See StoGuard Transition Membrane Installation Guide.
- 6] Pre-wrap edge of StoTherm® ci at vertical joint.
- 7] Apply Sto adhesive to back of insulation board and press fresh adhesive immediately into lath. Complete remainder of StoTherm ci installation in accordance with Sto Specification A100G.
- 8] Refer to Sto specifications and product bulletins and installation guides for detailed information on substrates and Sto material options.

IMPORTANT: Components not identified as Sto are furnished by other manufacturers and are not necessarily installed by trades who install the Sto products. Refer to project specific contract documents.

**ATTENTION**

Sto products are intended for use by qualified professional contractors, not consumers, as a component of a larger construction assembly as specified by a qualified design professional, general contractor or builder. They should be installed in accordance with those specifications and Sto's instructions. Sto Corp. disclaims all, and assumes no, liability for on-site inspections, for its products applied improperly, or by unqualified persons or entities, or as part of an improperly designed or constructed building, for the nonperformance of adjacent building components or assemblies, or for other construction activities beyond Sto's control. Improper use of Sto products or use as part of an improperly designed or constructed larger assembly or building may result in serious damage to Sto products, and to the structure of the building or its components.

STO CORP. DISCLAIMS ALL WARRANTIES EXPRESSED OR IMPLIED EXCEPT FOR EXPLICIT LIMITED WRITTEN WARRANTIES ISSUED TO AND ACCEPTED BY BUILDING OWNERS IN ACCORDANCE WITH STO'S WARRANTY PROGRAMS WHICH ARE SUBJECT TO CHANGE FROM TIME TO TIME. For the fullest, most current information on proper application, clean-up, mixing and other specifications and warranties, cautions and disclaimers, please refer to the Sto Corp. website, [www.stocorp.com](http://www.stocorp.com).

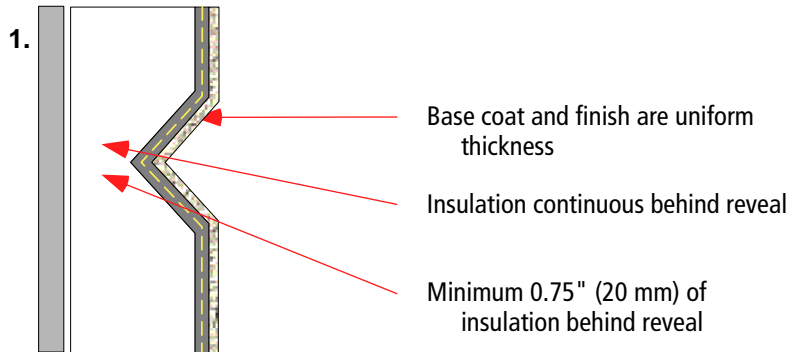


# Sto reStore

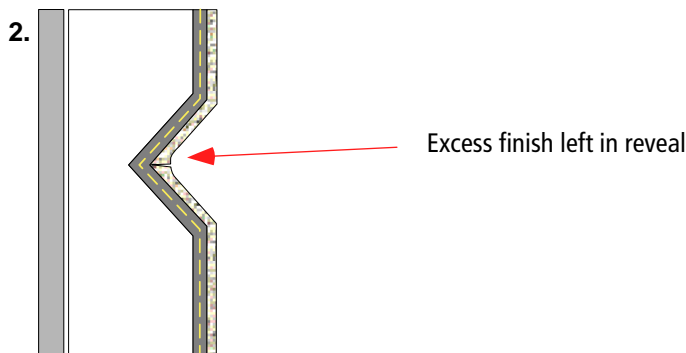
## Cracks in reveals - hairline

Detail No.: 74.03a

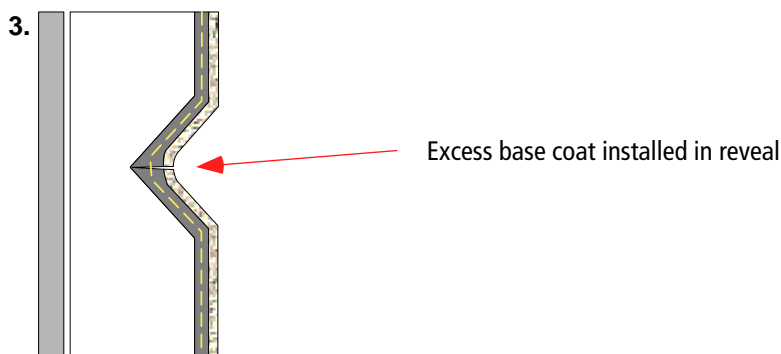
Date: December 2010



1. Correctly installed EIFS reveal.



2. Too much finish left in the reveal will lead to shrink cracking. This is a cosmetic condition and may be repaired by dabbing finish paste into the crack. Refer to StoTherm® EIFS Reference Guide: Repair and Maintenance, Repair of Surface Cracks in EIFS 2.01.



3. Too much base coat left in the reveal will lead to shrink cracking in the base coat which may carry through the finish. This is a cosmetic condition and may be repaired by dabbing finish paste into the crack. Refer to StoTherm® EIFS Reference Guide: Repair and Maintenance, Repair of Surface Cracks in EIFS 2.01

**Sto Corp.**  
 3800 Camp Creek Parkway  
 Building 1400, Suite 120  
 Atlanta, GA 30331  
 Phone 404-346-3666  
 Toll Free 888-786-3437  
 Fax 404-346-3119  
[www.stocorp.com](http://www.stocorp.com)

### Attention

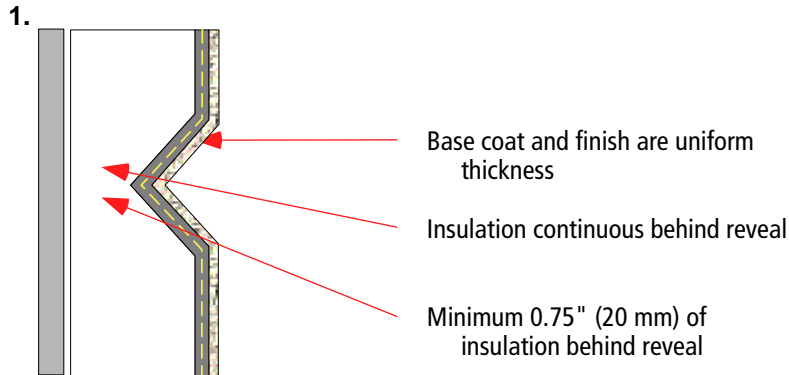
Sto products are intended for use by qualified professional contractors, not consumers, as a component of a larger construction assembly as specified by a qualified design professional, general contractor or builder. They should be installed in accordance with those specifications and Sto's instructions. Sto Corp. disclaims all, and assumes no, liability for on-site inspections, for its products applied improperly, or by unqualified persons or entities, or as part of an improperly designed or constructed building, for the nonperformance of adjacent building components or assemblies, or for other construction activities beyond Sto's control. Improper use of Sto products or use as part of an improperly designed or constructed larger assembly or building may result in serious damage to Sto products, and to the structure of the building or its components. **STO CORP. DISCLAIMS ALL WARRANTIES EXPRESS OR IMPLIED EXCEPT FOR EXPLICIT LIMITED WRITTEN WARRANTIES ISSUED TO AND ACCEPTED BY BUILDING OWNERS IN ACCORDANCE WITH STO'S WARRANTY PROGRAMS WHICH ARE SUBJECT TO CHANGE FROM TIME TO TIME.** For the fullest, most current information on proper application, clean-up, mixing and other specifications and warranties, cautions and disclaimers, please refer to the Sto Corp. website, [www.stocorp.com](http://www.stocorp.com).

# Sto reStore

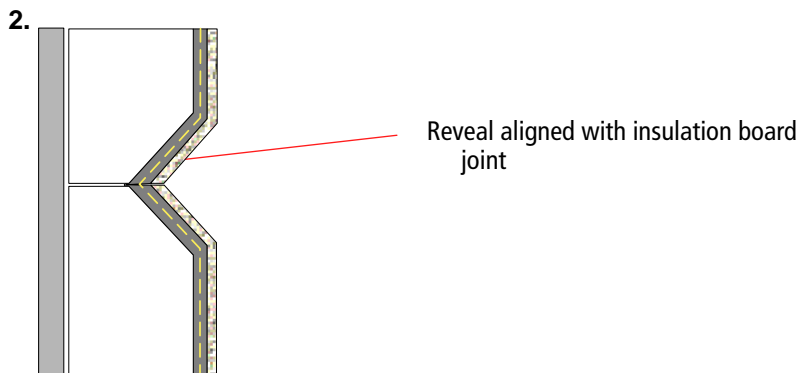
## Cracks at reveals

Detail No.: 74.03b

Date: December 2010

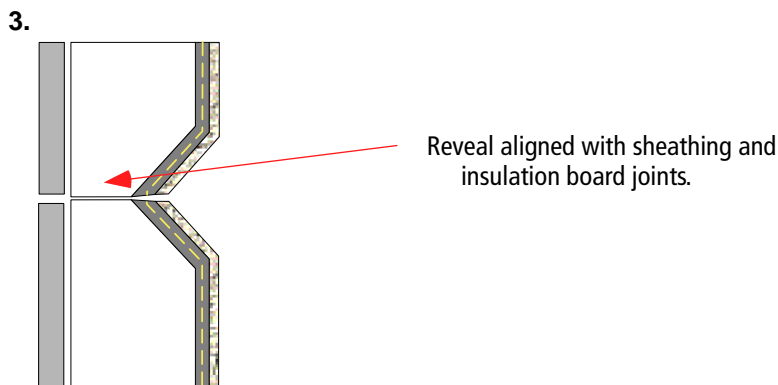


1. Correctly installed EIFS reveal.



2. Alignment of reveal with insulation board joint may result in cracking through the base coat and finish.

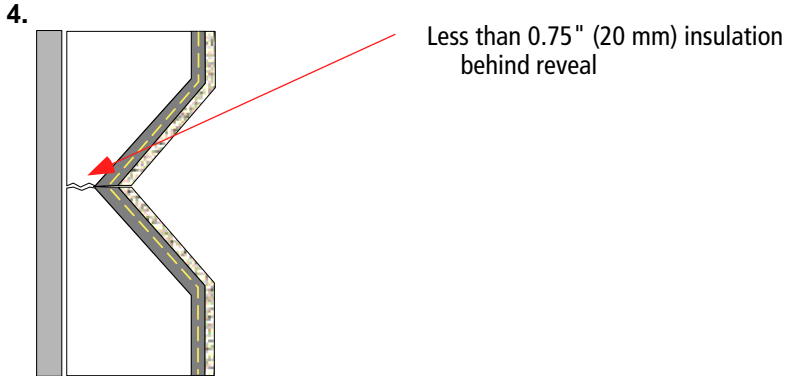
Refer to the repair recommendation illustrated on page 2, point 5.



3. Incorrect alignment of reveal with sheathing and insulation board joints may result in cracking through the base coat and finish. Base coat material may penetrate into the insulation joint if not tightly butted together. This could become a path for water entry into the wall cavity.

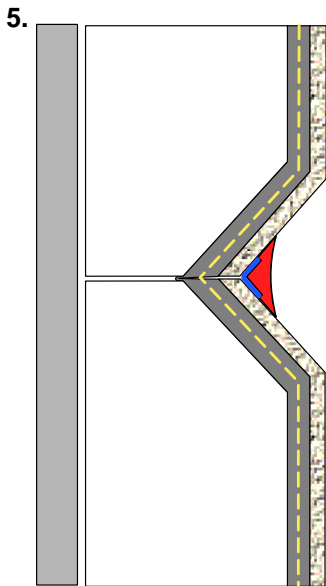
Refer to the repair recommendation illustrated on page 2, point 5.





4. Too little insulation behind the reveal may result in cracking the insulation, base coat and finish.

Refer to the repair recommendation illustrated in point 5 below.



5. The most practical repair for minor cracks in reveals is to install a small bead of sealant over the crack.

First, clean the area to be sealed.

Next, install a bond breaker tape to the EIFS over the crack.

Lastly, install a sealant bead over the bond breaker tape and tool it to ensure good adhesion to the finish on each side of the reveal.

Refer to StoTherm® EIFS Reference Guide: Repair and Maintenance, Repair of Cracks in Aesthetic Joints in EIFS 2.04

Note: If the cracking is severe (e.g. reinforcing mesh is broken), then there is a possibility of structural movement or other serious problem. The crack should be cut out and the substrate inspected for the potential cause and signs of water penetration.

Refer to Sto reStore Detail 74.06 for repair method of the portion removed. Additional steps for repair to the substrate may be required prior to the EIFS repair.

**Sto Corp.**  
 3800 Camp Creek Parkway  
 Building 1400, Suite 120  
 Atlanta, GA 30331  
 Phone 404-346-3666  
 Toll Free 888-786-3437  
 Fax 404-346-3119  
[www.stocorp.com](http://www.stocorp.com)

### Attention

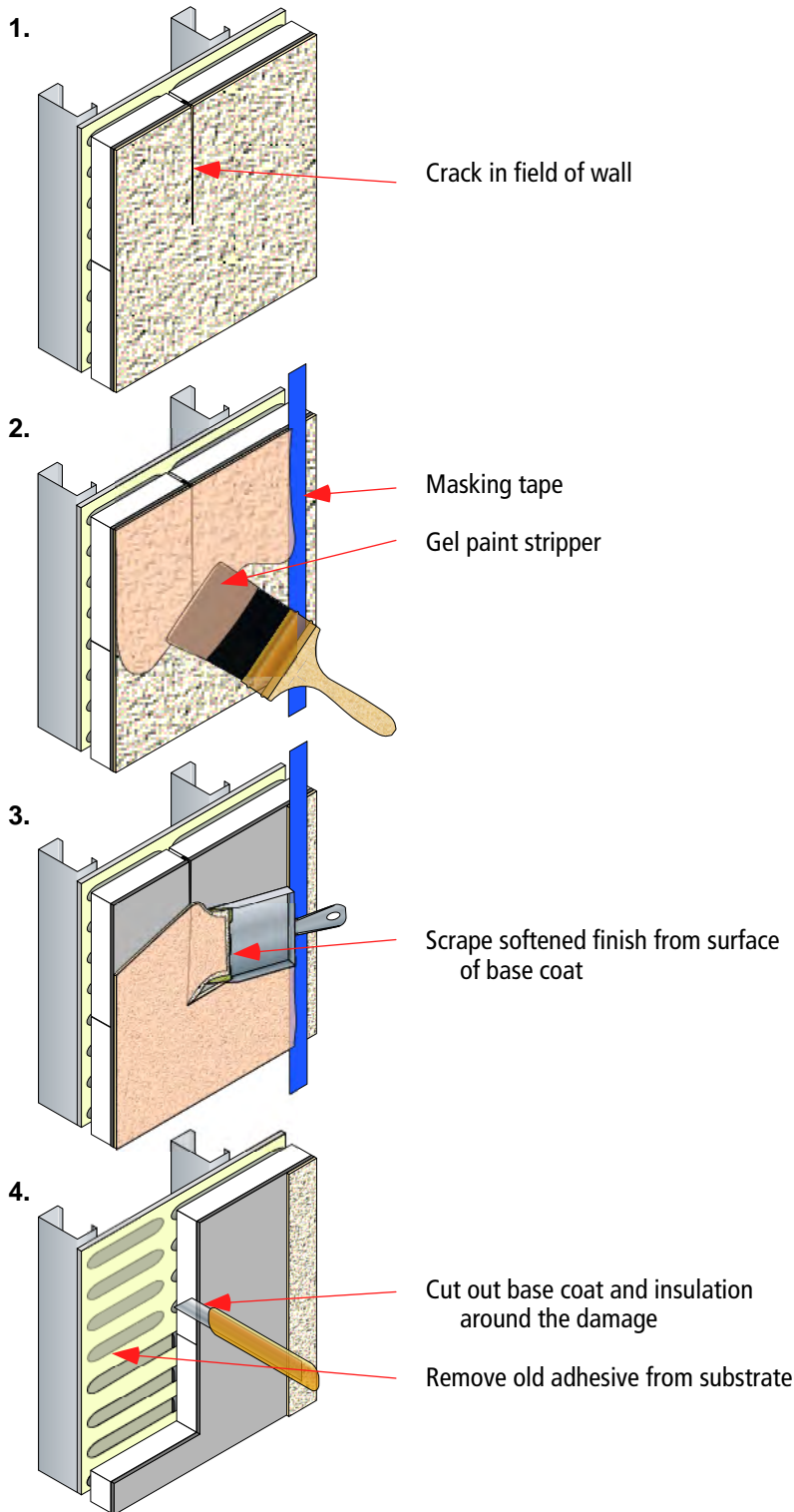
Sto products are intended for use by qualified professional contractors, not consumers, as a component of a larger construction assembly as specified by a qualified design professional, general contractor or builder. They should be installed in accordance with those specifications and Sto's instructions. Sto Corp. disclaims all, and assumes no, liability for on-site inspections, for its products applied improperly, or by unqualified persons or entities, or as part of an improperly designed or constructed building, for the nonperformance of adjacent building components or assemblies, or for other construction activities beyond Sto's control. Improper use of Sto products or use as part of an improperly designed or constructed larger assembly or building may result in serious damage to Sto products, and to the structure of the building or its components. **STO CORP DISCLAIMS ALL WARRANTIES EXPRESS OR IMPLIED EXCEPT FOR EXPLICIT LIMITED WRITTEN WARRANTIES ISSUED TO AND ACCEPTED BY BUILDING OWNERS IN ACCORDANCE WITH STO'S WARRANTY PROGRAMS WHICH ARE SUBJECT TO CHANGE FROM TIME TO TIME.** For the fullest, most current information on proper application, clean-up, mixing and other specifications and warranties, cautions and disclaimers, please refer to the Sto Corp. website, [www.stocorp.com](http://www.stocorp.com).

# Sto reStore

## Puncture or crack repair

Detail No.: 74.06

Date: December 2010



1. Procedure illustrates repairs to damaged EIFS where the insulation requires replacement. Damage may have resulted from impact, crack from improper insulation installation (as illustrated here) or from other cause.

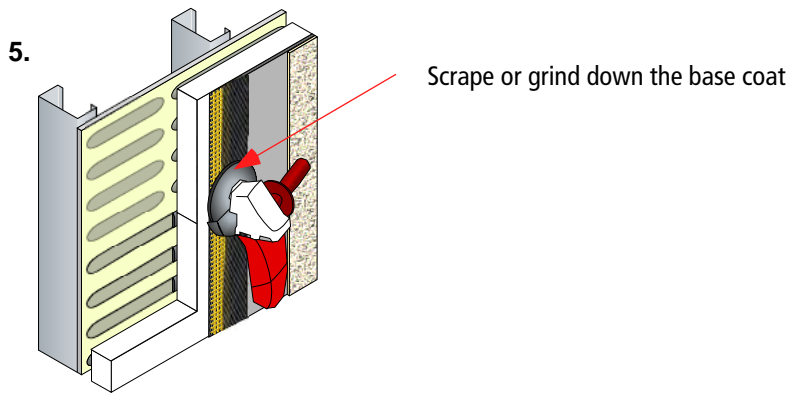
2. Mask off the area around the damage approximately 6" (150 mm) from the edges of the damage. Remove the finish with a grinder or water-based gel paint stripper as described in ReStore Detail 72.03.

Protect areas not being repaired from damage.

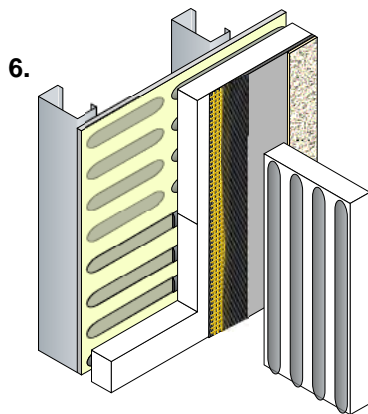
3. Scrape the softened finish from the base coat, leaving a neat edge at the masking tape. Rinse any remaining paint stripper off using clean water.

4. Mark off the area minimum 3" (75 mm) from the edges of the damage and cut the base coat and mesh with a straight edge. Remove the base coat and insulation. Remove adhesive from the substrate by scraping or grinding.

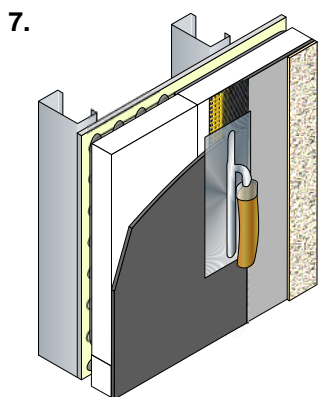
Inspect the substrate. If it is damaged, do not proceed until the extent of the damage and scope of required repair is determined.



5. Scrape or grind down the base coat a minimum of 3" (75 mm) around the perimeter of the cut opening. Leave a minimum of 2.5" (65 mm) of mesh intact for the new mesh to overlap (Steps 7 & 8).

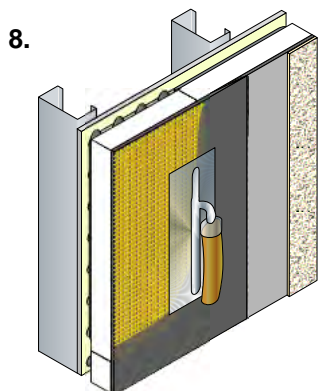


6. Cut a piece of insulation to fit tightly into the opening. When there is a good fit leaving no gaps around the perimeter, apply adhesive and install. Apply adequate pressure to seat the new insulation flush with existing insulation. Allow to dry and rasp the surface as in a standard application.

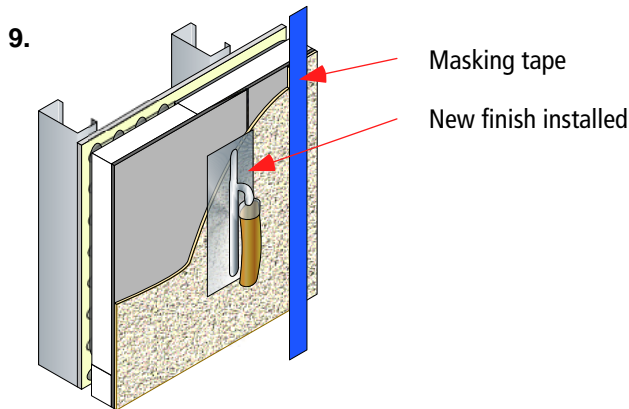


7. Install base coat over the exposed insulation.

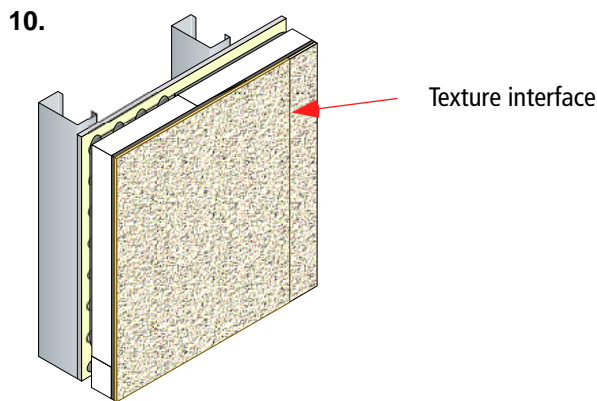
Cut a piece of mesh to fit into the repair base coat so that there will be a minimum of 2.5" (65 mm) overlap of new mesh over old around the perimeter of the repair.



8. Trowel the mesh into the wet base coat, ensuring the overlap around the perimeter of the repair. Trowel the fresh base coat so that it is smooth and in plane with the existing base coat. Allow to dry. Protect from inclement weather until dry.



9. Mask off area at line where old finish was removed. Install new finish within the masked off area. Immediately remove the masking tape and texture interface between new and old finish to blend in the new with the old.



10. Protect the new finish until dry.

Depending on the age of the original finish the repair may remain visible as a repair. Texture may be slightly different from the original and the color may differ slightly. Over time the repair will 'weather in' and be less noticeable.

IF a more uniform finish is required refer to ReStore Detail 72.01 Recoat with Smooth Coating or 72.02 Rebase with Texture Coating for alternate finishing procedures.

Note: For further information and techniques refer to StoTherm® EIFS Reference Guide: Repair and Maintenance, Repair of Puncture Damage in EIFS 2.03.

**Sto Corp.**  
 3800 Camp Creek Parkway  
 Building 1400, Suite 120  
 Atlanta, GA 30331  
 Phone 404-346-3666  
 Toll Free 888-786-3437  
 Fax 404-346-3119  
[www.stocorp.com](http://www.stocorp.com)

### Attention

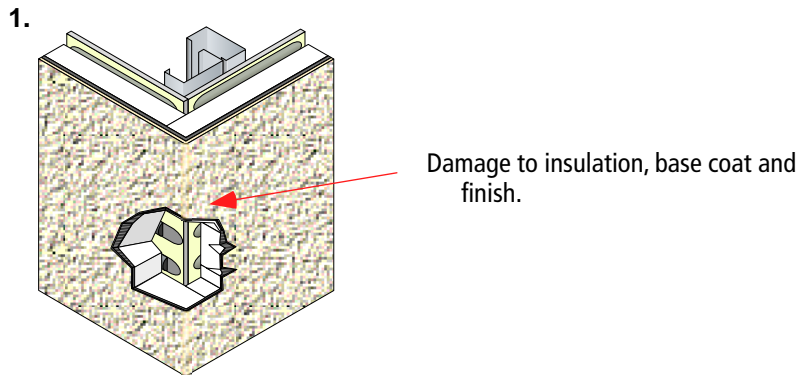
Sto products are intended for use by qualified professional contractors, not consumers, as a component of a larger construction assembly as specified by a qualified design professional, general contractor or builder. They should be installed in accordance with those specifications and Sto's instructions. Sto Corp. disclaims all, and assumes no, liability for on-site inspections, for its products applied improperly, or by unqualified persons or entities, or as part of an improperly designed or constructed building, for the nonperformance of adjacent building components or assemblies, or for other construction activities beyond Sto's control. Improper use of Sto products or use as part of an improperly designed or constructed larger assembly or building may result in serious damage to Sto products, and to the structure of the building or its components. **STO CORP DISCLAIMS ALL WARRANTIES EXPRESS OR IMPLIED EXCEPT FOR EXPLICIT LIMITED WRITTEN WARRANTIES ISSUED TO AND ACCEPTED BY BUILDING OWNERS IN ACCORDANCE WITH STO'S WARRANTY PROGRAMS WHICH ARE SUBJECT TO CHANGE FROM TIME TO TIME.** For the fullest, most current information on proper application, clean-up, mixing and other specifications and warranties, cautions and disclaimers, please refer to the Sto Corp. website, [www.stocorp.com](http://www.stocorp.com).

# Sto reStore

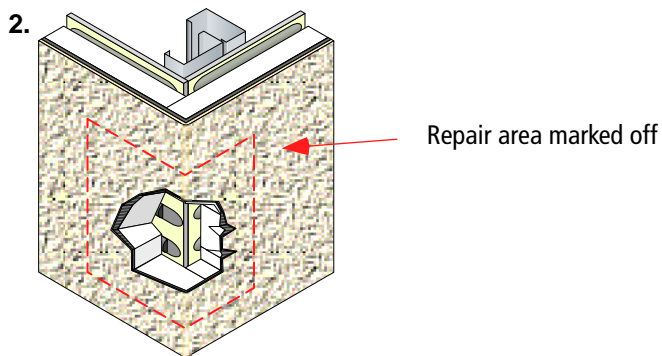
## Damage to EIFS Corner

Detail No.: 74.08

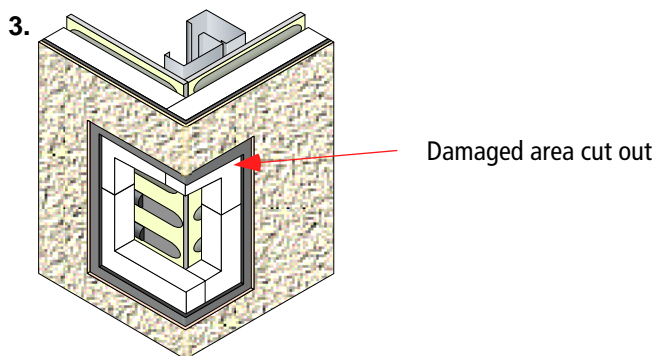
Date: December 2010



1. Procedure illustrates impact damage repair to an EIFS corner.

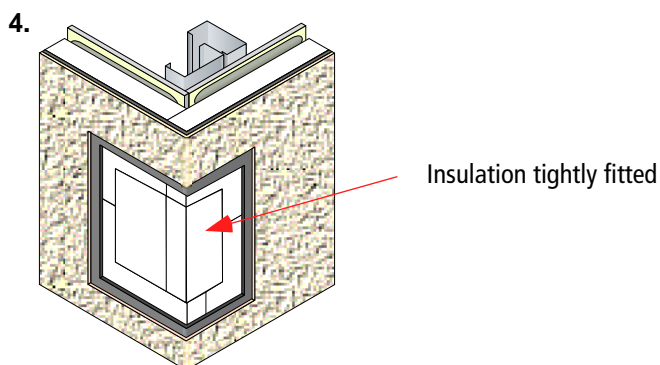


2. Mark off the damaged area to repair using horizontal and vertical lines. Keeping the repair edges and corners square will simplify the installation of new insulation materials.



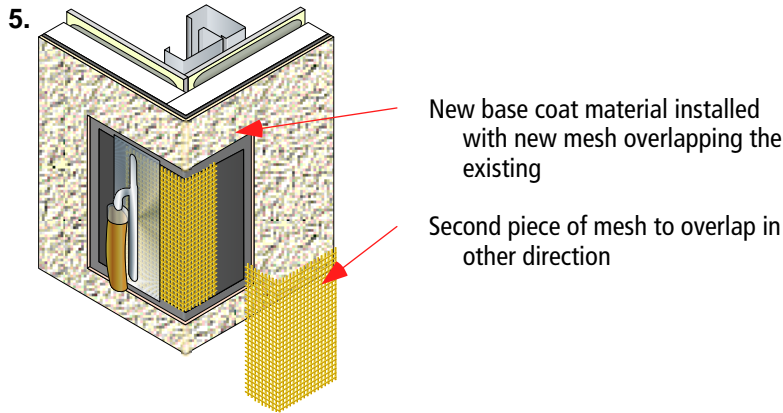
3. Follow the repair procedures outlined in Sto reStore Detail 74.06.

Prior to starting the repair inspect the substrate for damage. Modify the scope of the repairs to include repair of any substrate damage in advance of the EIFS repairs.



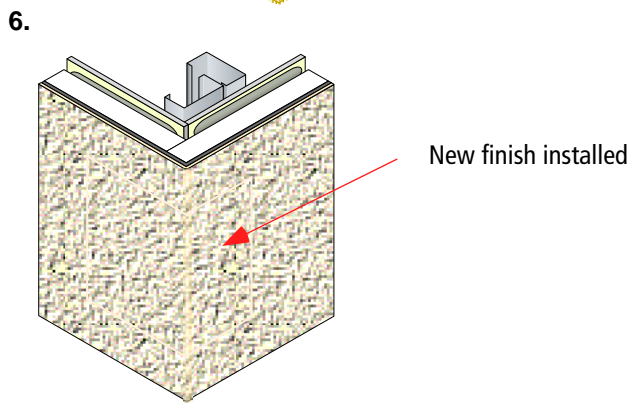
4. Fit the new insulation tightly into the opening cut into the existing material. If repair is extensive, stagger the insulation boards at the corner. Rasp to maintain a straight edge at the corner.





New base coat material installed with new mesh overlapping the existing

Second piece of mesh to overlap in other direction



New finish installed

5. Install base coat and mesh over the exposed insulation as per Sto reStore Detail 74.06. Two pieces of mesh should be trowelled into the wet base coat in two applications so they overlap in each direction a minimum of 2.5" (65 mm).

6. Re-mask the area around the edge of the finish. Install new finish within area protected by the masking tape. as per Sto reStore Detail 74.06.

Protect the new finish until dry.

Depending on the age of the original finish the repair may remain visible as a repair. Texture may be slightly different from the original and the color may differ slightly. Over time the repair will 'weather in' and be less noticeable.

IF a more uniform finish is required refer to ReStore Detail 72.04 Recoat with Smooth Coating or 72.03 Rebase with Texture Coating for alternate finishing procedures.

**Sto Corp.**  
 3800 Camp Creek Parkway  
 Building 1400, Suite 120  
 Atlanta, GA 30331  
 Phone 404-346-3666  
 Toll Free 888-786-3437  
 Fax 404-346-3119  
[www.stocorp.com](http://www.stocorp.com)

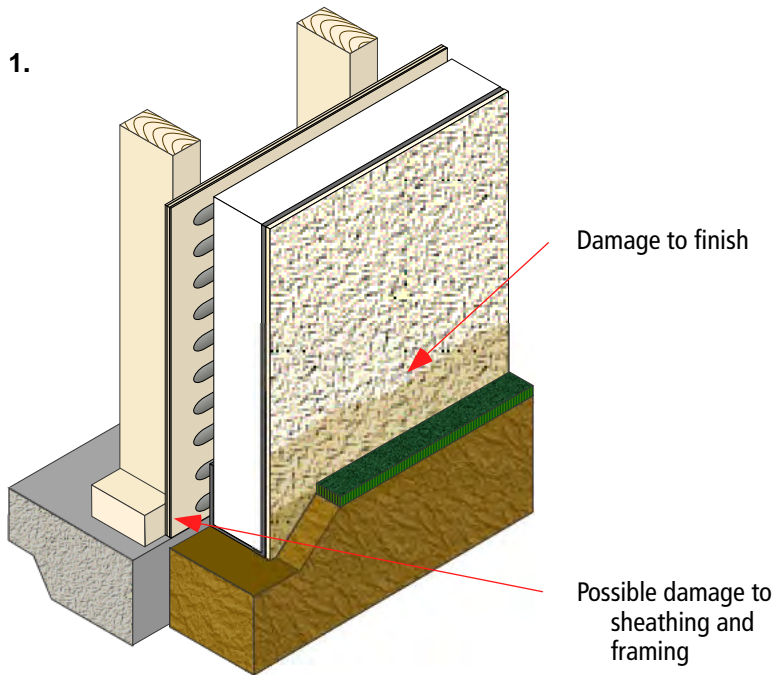
### Attention

Sto products are intended for use by qualified professional contractors, not consumers, as a component of a larger construction assembly as specified by a qualified design professional, general contractor or builder. They should be installed in accordance with those specifications and Sto's instructions. Sto Corp. disclaims all, and assumes no, liability for on-site inspections, for its products applied improperly, or by unqualified persons or entities, or as part of an improperly designed or constructed building, for the nonperformance of adjacent building components or assemblies, or for other construction activities beyond Sto's control. Improper use of Sto products or use as part of an improperly designed or constructed larger assembly or building may result in serious damage to Sto products, and to the structure of the building or its components. **STO CORP. DISCLAIMS ALL WARRANTIES EXPRESS OR IMPLIED EXCEPT FOR EXPLICIT LIMITED WRITTEN WARRANTIES ISSUED TO AND ACCEPTED BY BUILDING OWNERS IN ACCORDANCE WITH STO'S WARRANTY PROGRAMS WHICH ARE SUBJECT TO CHANGE FROM TIME TO TIME.** For the fullest, most current information on proper application, clean-up, mixing and other specifications and warranties, cautions and disclaimers, please refer to the Sto Corp. website, [www.stocorp.com](http://www.stocorp.com).

# Sto reStore Cut back and repair at grade

Detail No.: 74.10

Date: December 2011

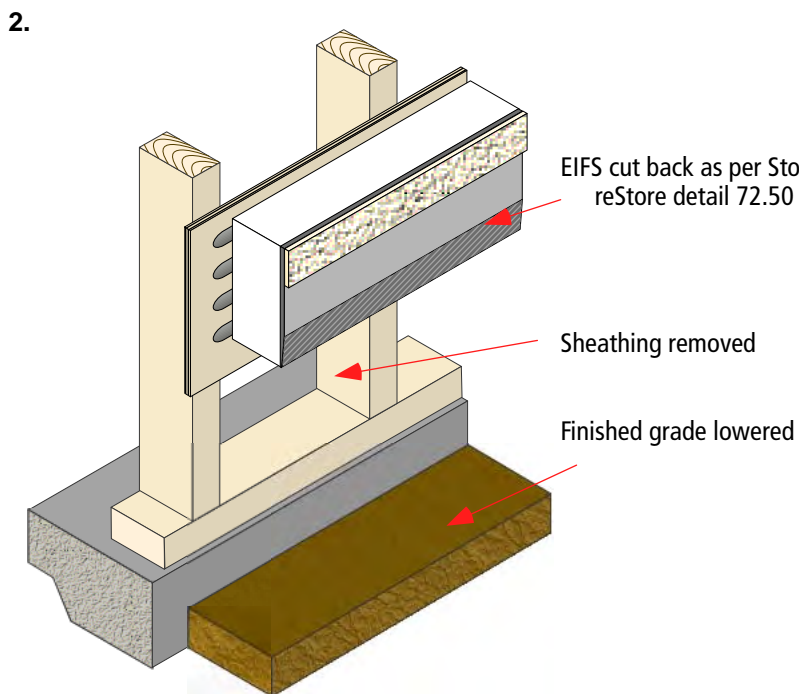


1. Procedure illustrates repairs to EIFS installed close to grade with landscaping installed over the bottom of the EIFS.

This is a common problem with slab on grade construction. Landscaping should be maintained a minimum of 8" (200 mm) below the underside of the EIFS.

The bottom of the EIFS finish is subject to staining from water splash, and will soften and require additional maintenance if kept wet. In some geographic regions insects will tunnel into the wall assembly behind the EIFS. Such damage may not be visible during inspections.

In more serious situations water from the soil may result in high humidity in the wood sheathing and framing. Relative humidity over 20% for prolonged periods can result in deterioration of wood products.



2. Remove the landscaping from around the bottom of the EIFS. Ensure an adequate distance is maintained between top of finish grade and the wood framing, as defined in applicable building codes.

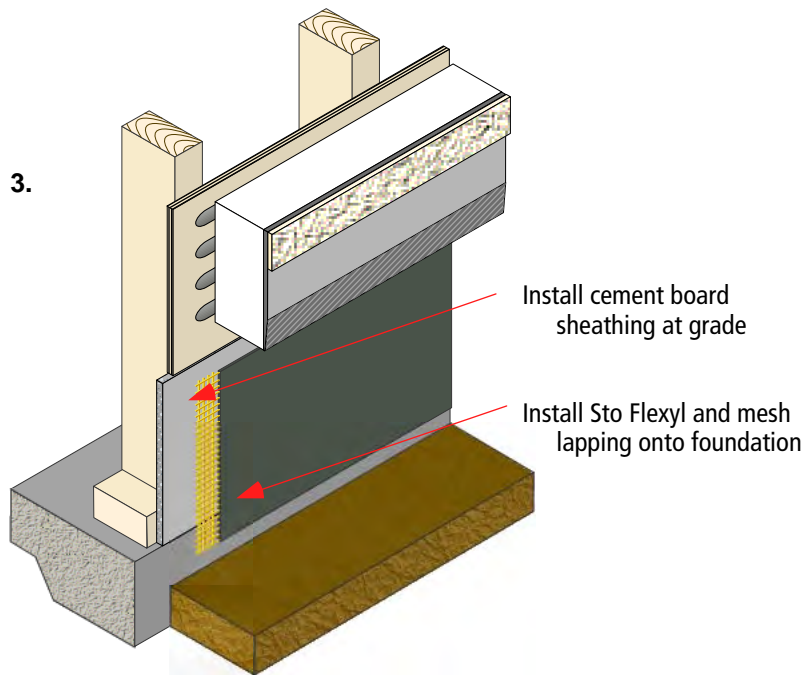
Cut off the EIFS following the procedures outlined in Sto reStore detail 72.50 New Backwrap. Cut the EIFS high enough so that the new backwrap piece will terminate a minimum of 8" (200 mm) above grade.

Also remove the sheathing just below the cut edge of the EIFS.

Inspect the wood framing for water or insect damage. If any damage is detected, stop work and contact experts for further remedial action.

To prepare for the repair, remove all dirt and other contamination from the newly exposed foundation, taking care not to overwet the wood framing and interior finishes.

Protect the exposed areas from inclement weather until repairs are completed.

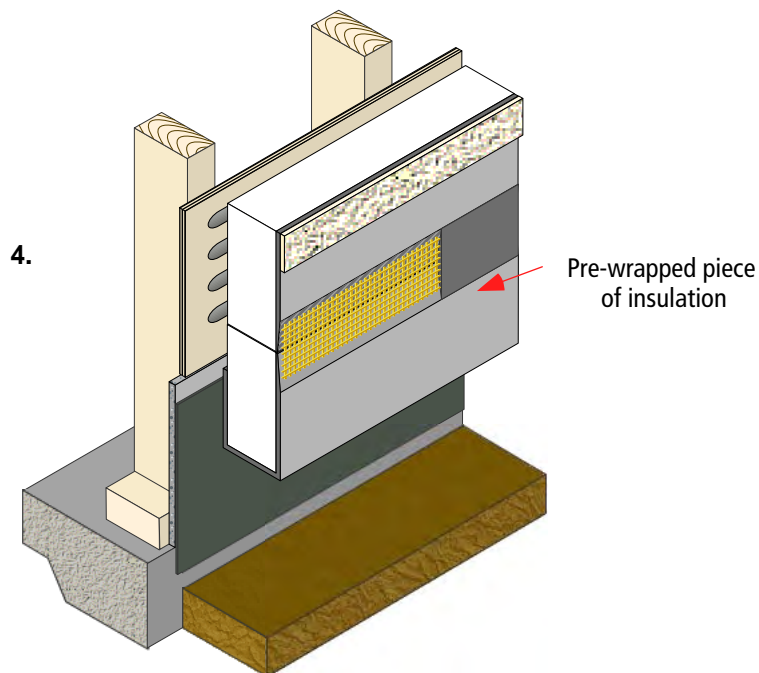


3. Install cement board to replace the sheathing removed. As the replacement EIFS will terminate higher above grade the previous installation, a band of sheathing will be left exposed. The cement board will be more durable than wood sheathing.

Coat the cement board sheathing with both Sto Flexyl and mesh, overlapping onto the cleaned foundation. The new Flexyl-reinforced coating will protect the cement board and foundation interface from water penetration and prevent air leaks under the sill plate.

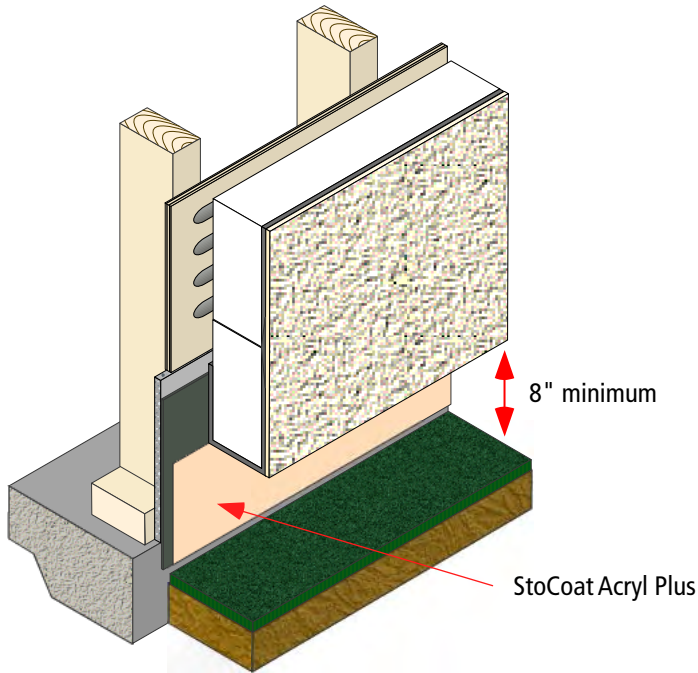
Allow the Flexyl to cure for a minimum 24 hours before proceeding with Step 4.

Note: If EIFS being replaced has a fluid-applied water-resistive barrier, then repair and add the barrier so that it overlaps the Flexyl. Incorporate a flashing to direct water draining from behind the system away from the wall.



4. Install the pre-wrapped piece of insulation as outlined in Sto reStore Detail 72.50. Allow time for base coat to cure before installing matching finish.

5.



5. When the EIFS repairs are completed, the foundation may be coated with StoCoat Acryl Plus to provide a color match or accented finish over the Flexyl waterproofing.

Maintain the finished grade a minimum of 8" (200 mm) below the underside of the newly repaired EIFS.

**Sto Corp.**  
3800 Camp Creek Parkway  
Building 1400, Suite 120  
Atlanta, GA 30331  
Phone 404-346-3666  
Toll Free 888-786-3437  
Fax 404-346-3119  
[www.stocorp.com](http://www.stocorp.com)

### Attention

Sto products are intended for use by qualified professional contractors, not consumers, as a component of a larger construction assembly as specified by a qualified design professional, general contractor or builder. They should be installed in accordance with those specifications and Sto's instructions. Sto Corp. disclaims all, and assumes no, liability for on-site inspections, for its products applied improperly, or by unqualified persons or entities, or as part of an improperly designed or constructed building, for the nonperformance of adjacent building components or assemblies, or for other construction activities beyond Sto's control. Improper use of Sto products or use as part of an improperly designed or constructed larger assembly or building may result in serious damage to Sto products, and to the structure of the building or its components. **STO CORP. DISCLAIMS ALL WARRANTIES EXPRESS OR IMPLIED EXCEPT FOR EXPLICIT LIMITED WRITTEN WARRANTIES ISSUED TO AND ACCEPTED BY BUILDING OWNERS IN ACCORDANCE WITH STO'S WARRANTY PROGRAMS WHICH ARE SUBJECT TO CHANGE FROM TIME TO TIME.** For the fullest, most current information on proper application, clean-up, mixing and other specifications and warranties, cautions and disclaimers, please refer to the Sto Corp. website, [www.stocorp.com](http://www.stocorp.com).

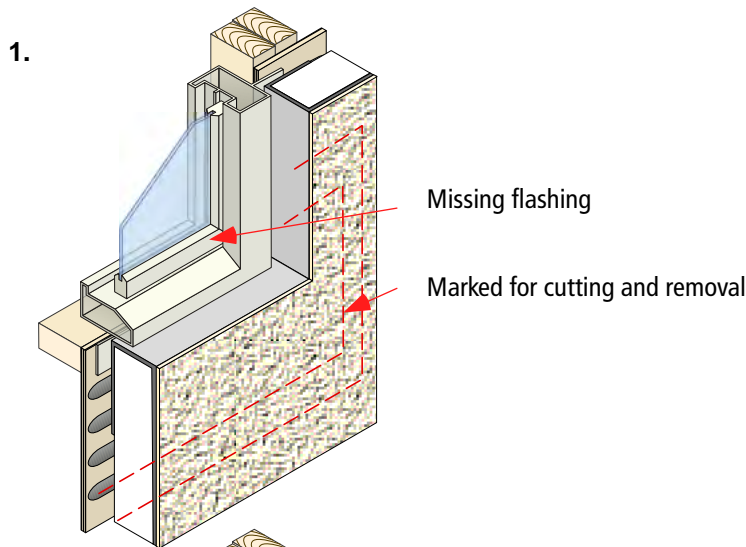


# Sto reStore

## Installing Missing Sill Flashing

Detail No.: 74.22

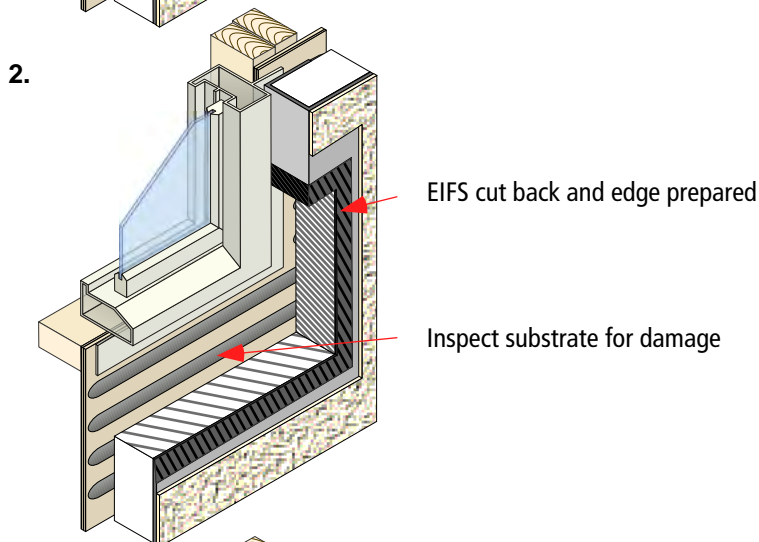
Date: January 2012



1. Procedure illustrates a method for installing a flashing under a nail flange window without removing the window.

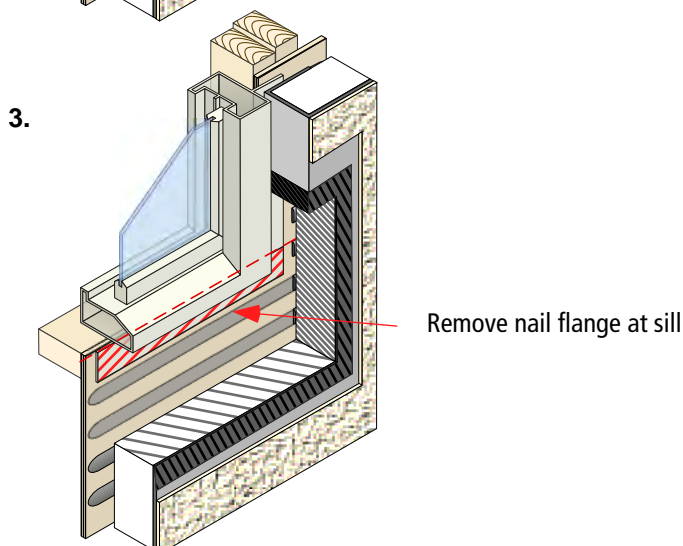
Most building codes require a sill flashing under all windows that will drain water to the exterior of the cladding. With a nail flange window, if the flange is sealed to the wall then water intrusion will be trapped in the wall assembly inbound of any weather barriers. This method places a flashing under the window to direct penetrating water to the exterior.

Provide protection from inclement weather until the repair is complete.



2. Cut back the EIFS and prepare the perimeter as outlined in Sto reStore Detail 72.50.

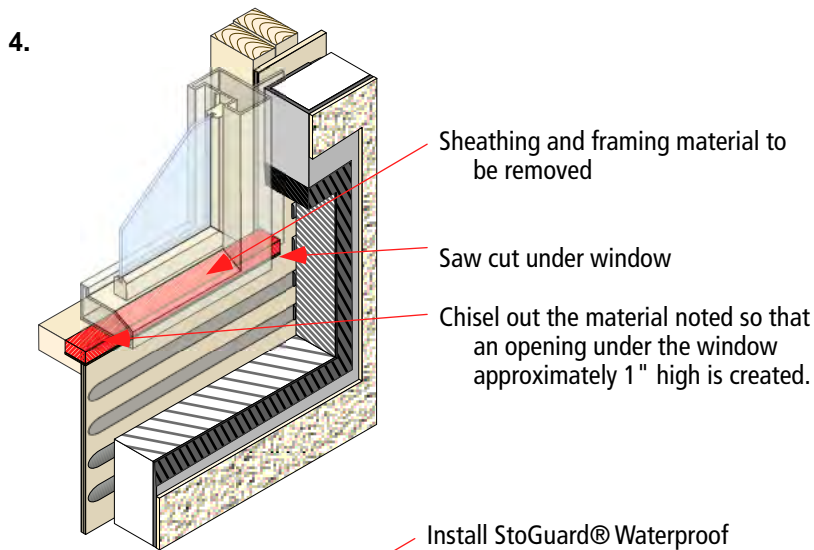
Inspect the wood sheathing and framing for any water damage. If any damage is detected, stop work and contact experts for further remedial action.



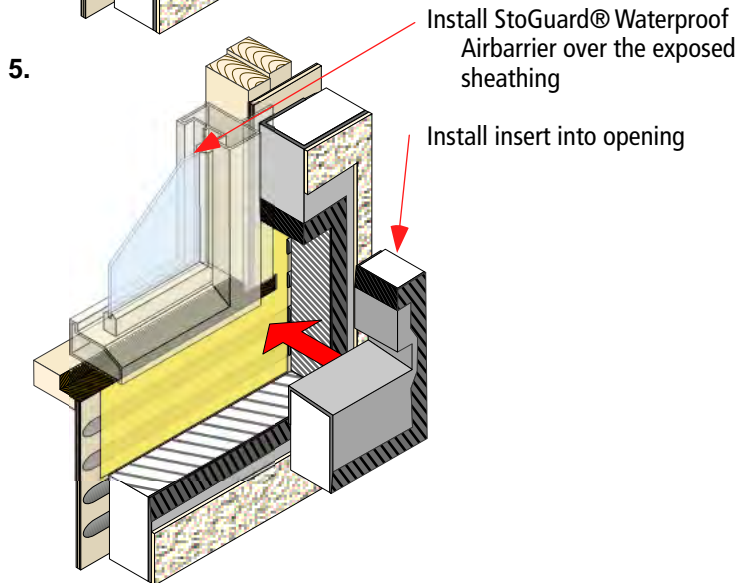
3. Clean off remaining EIFS adhesive and any other deleterious materials from the surface of the sheathing.

Cut and remove the sill nail flange from the window.

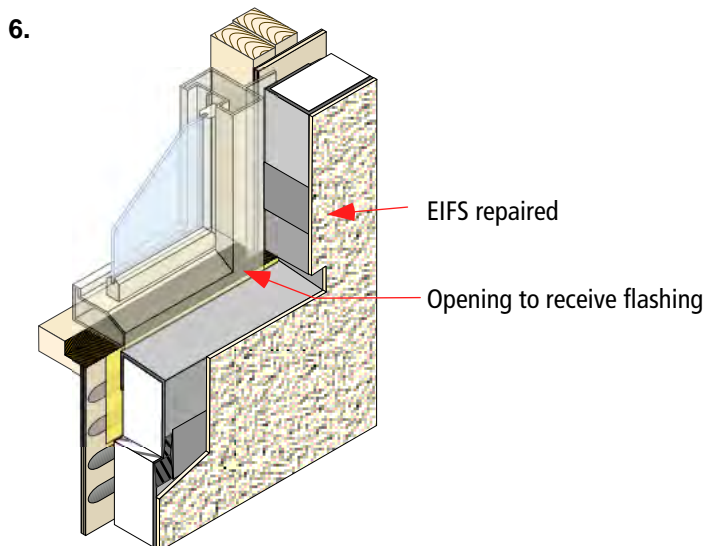
As mentioned above, inspect the wood behind the flange location for any water damage.



4. Mark an area approximately 1" (25 mm) below the rough opening and saw cut the sheathing and into the sill plate. Chisel or rout out the sheathing and sill plate as noted.

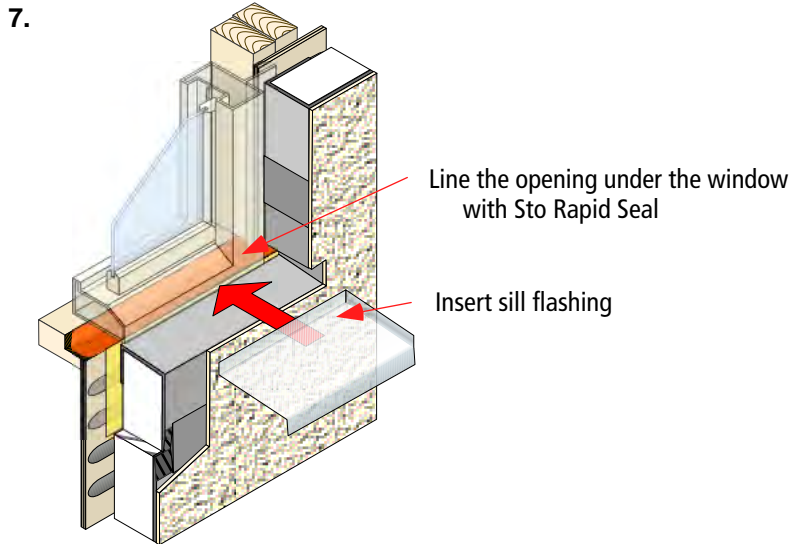


5. Coat the sheathing and into the new opening with StoGuard® Waterproof Airbarrier. Prepare a prewrapped EIFS insert as per Sto reStore Detail 72.50 to replace the EIFS removed. Ultimately (Step 7) a new sill flashing will be inserted into the opening. Design the infill piece to accommodate the new flashing. The new piece should be sloped to allow the flashing to drain away from the wall.



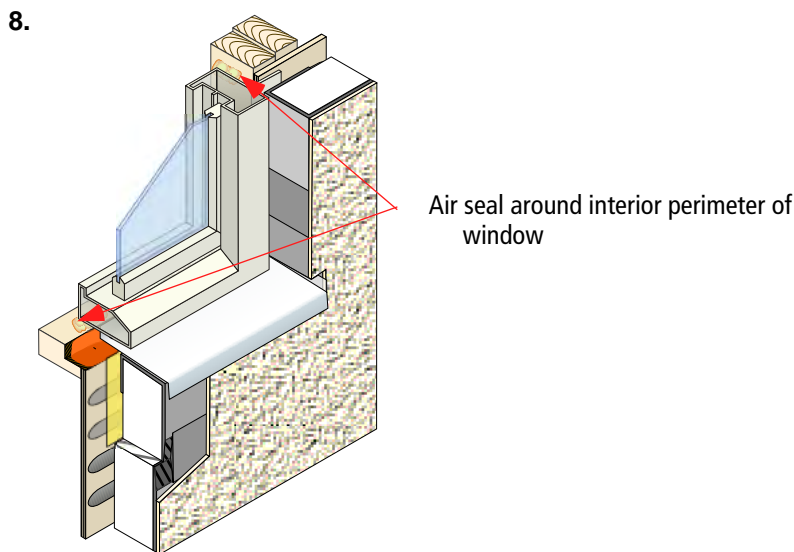
6. Finish the installation of the new EIFS as per Sto reStore Detail 72.50. The finish may return into the opening (not illustrated here) depending on the location of the window and sealant installed between the window and the EIFS base coat. Do not install finish in any location that is to receive sealant.

Protect the new finish until dry.



7. Line the newly created opening under the window with Sto Rapid Seal. Inject it into the opening using a caulking gun and smooth it out as much as possible with putty knife or brush.

Immediately insert the new sill flashing into the wet Rapid Seal and allow to cure. Depending on the configuration of the sill, opening and flashing it may be necessary to set the sill into a bed of sealant placed on the EIFS sill and jamb cutout.



8. Install new backer rod and sealant between window and EIFS. If sealant is placed between the window and new flashing then ensure openings be left to allow water escape.

Around the interior perimeter of the window install an airseal.

Depending on the age of the original finish the repair may remain visible as a repair. Texture may be slightly different from the original and the color may differ slightly. Over time the repair will 'weather-in' and be less noticeable.

IF a more uniform finish is required refer to ReStore Detail 72.01 Recoat with Smooth Coating or 72.02 Rebase with Texture Coating for alternate finishing procedures.

**Sto Corp.**  
 3800 Camp Creek Parkway  
 Building 1400, Suite 120  
 Atlanta, GA 30331  
 Phone 404-346-3666  
 Toll Free 888-786-3437  
 Fax 404-346-3119  
[www.stocorp.com](http://www.stocorp.com)

### Attention

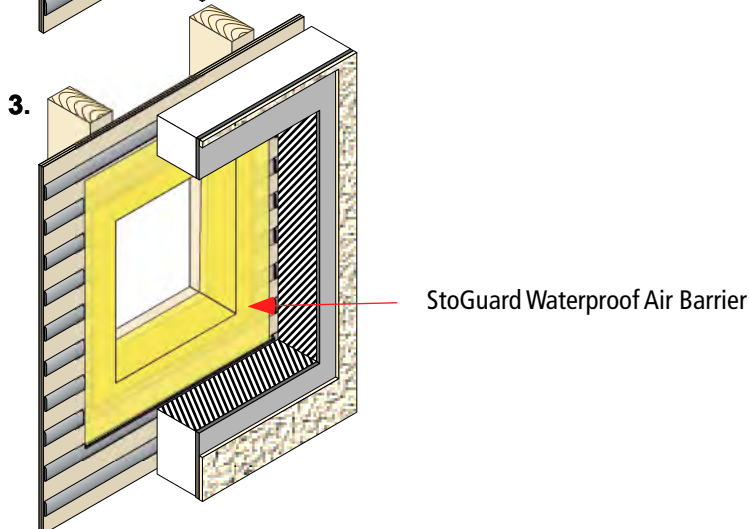
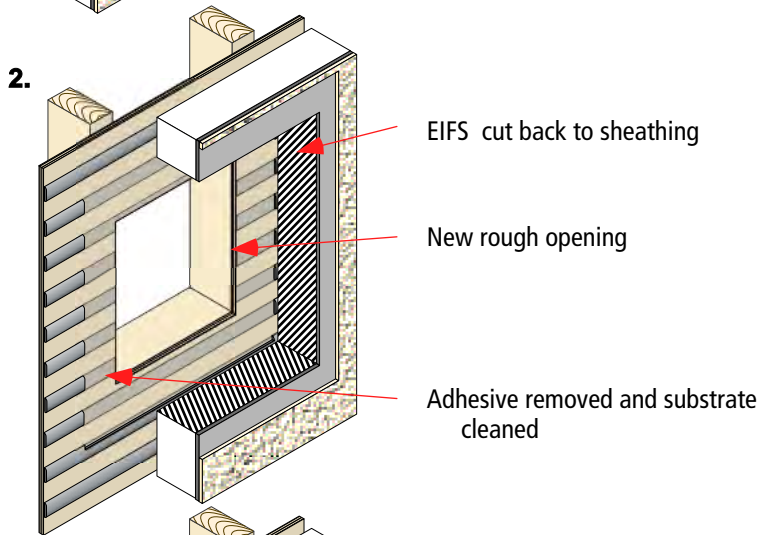
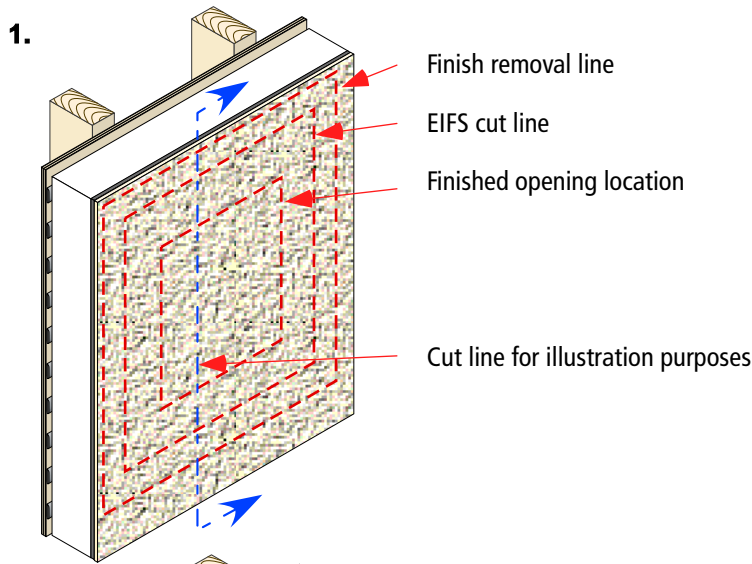
Sto products are intended for use by qualified professional contractors, not consumers, as a component of a larger construction assembly as specified by a qualified design professional, general contractor or builder. They should be installed in accordance with those specifications and Sto's instructions. Sto Corp. disclaims all, and assumes no, liability for on-site inspections, for its products applied improperly, or by unqualified persons or entities, or as part of an improperly designed or constructed building, for the nonperformance of adjacent building components or assemblies, or for other construction activities beyond Sto's control. Improper use of Sto products or use as part of an improperly designed or constructed larger assembly or building may result in serious damage to Sto products, and to the structure of the building or its components. **STO CORP. DISCLAIMS ALL WARRANTIES EXPRESS OR IMPLIED EXCEPT FOR EXPLICIT LIMITED WRITTEN WARRANTIES ISSUED TO AND ACCEPTED BY BUILDING OWNERS IN ACCORDANCE WITH STO'S WARRANTY PROGRAMS WHICH ARE SUBJECT TO CHANGE FROM TIME TO TIME.** For the fullest, most current information on proper application, clean-up, mixing and other specifications and warranties, cautions and disclaimers, please refer to the Sto Corp. website, [www.stocorp.com](http://www.stocorp.com).



# Sto reStore Adding an Opening

Detail No.: 74.28

Date: January 2012



1. Procedure illustrates a method for installing a new opening in an existing EIFS cladding. Opening size may range from a small opening (duct) to large opening (window).

Mark the wall where the opening is to be installed. The procedure for opening the wall and preparing the EIFS is outlined in Sto ReStore Detail 72.50.

For purposes of clarity only half of this detail is illustrated as indicated by the blue section arrows.

Ensure that there is adequate protection from inclement weather during the period the wall is open and being repaired.

2. Cut the EIFS back a minimum of 3" (75 mm) from the new opening.

Inspect the sheathing and framing for any water or other damage. If damage is detected, stop work and contact experts for further remedial action.

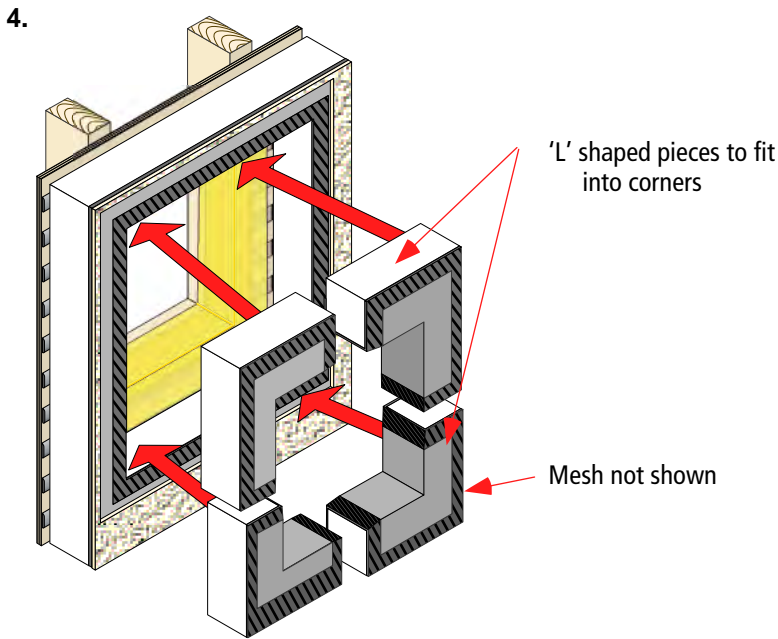
Clean the substrate of old adhesive and other detritus that could affect the bond of new materials.

Ensure that there is adequate framing and support for the size of the opening and the object that will be placed into the opening.

3. Install StoGuard Waterproof Air Barrier into the rough opening and onto the face of the sheathing.

If the opening requires a head flashing then it should be incorporated into the StoGuard installation at this point as per Sto Detail 10.23B. Other flashing, such as sill flashing, should be installed later in the process. Ensure that the proper clearance has been installed to incorporate required flashing.

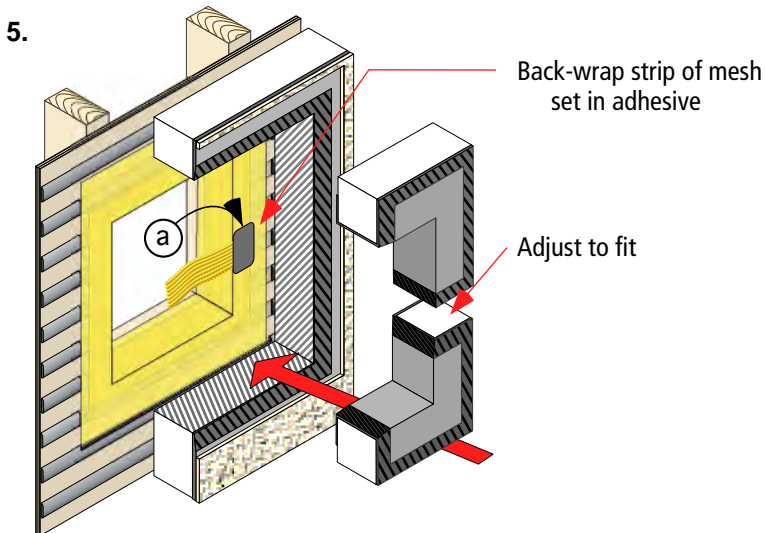
If opening is to accommodate a heat producing duct, such as a fireplace exhaust, then additional set back of the new EIFS will be required. Consult a Sto Technical Representative.



4. The procedure for opening the wall and preparing the EIFS is outlined in Sto ReStore Detail 72.50. The exact configuration of the infill pieces will depend on the size of the opening. However, pre-wrapped 'L' shaped pieces of insulation should be installed into the corners. For larger openings straight pieces may be fitted between the corner 'L' pieces.

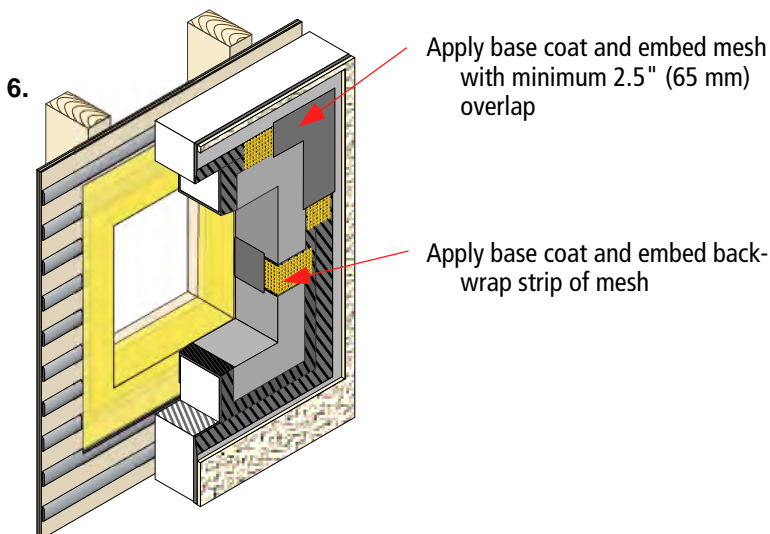
The mesh is not shown in this illustration for clarity.

Size the prewrapped pieces to accommodate any flashing (head and sill) if required, and space for backer rod and sealant. Take into account any unique conditions that may affect the final weather seal around the opening. Also take into consideration the requirements for an air seal between the penetrating object and the StoGuard.



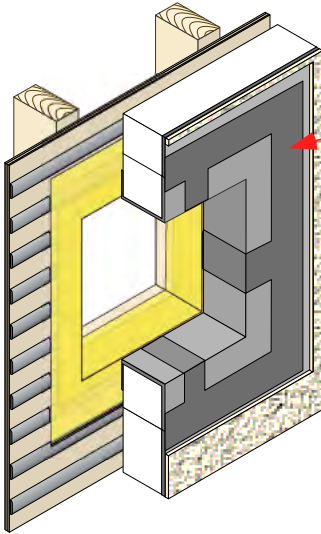
5. Fitting prewrapped pieces into the opening may require adjustment of the pieces. For that reason it may be better to not install mesh for overlap at the point where the pieces will meet to allow the pieces to be trimmed. In that case a 5" (125 mm) wide (minimum) strip of mesh should be set in base coat or adhesive at the point where the pieces will meet (see 'a' in illustration) prior to the final setting of the pieces. The mesh strip will be used to back wrap the joint with at least 2.5" (65 mm) lapping onto each piece. Refer to Sto reStore Detail 72.04.

Allow the adhesive to cure for a minimum of 24 hours prior to proceeding.



6. When the pieces are set into place finish the back wrap noted at 'a' by applying fresh base coat and trowelling the mesh strip into the wet base coat ensuring the mesh overlaps each piece a minimum of 2.5" (65 mm). Complete the base coat and mesh overlaps on the perimeter as outlined in Sto reStore Detail 72.50. Allow the base coat to cure for 24 hours.

7.

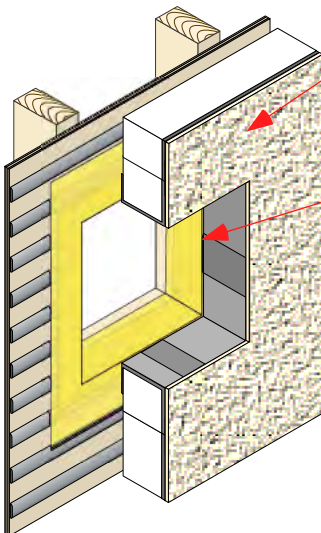


Completed base coat material installed with mesh overlapping the existing

7. Complete the base coat and mesh embedment. Allow the base coat to cure for 24 hours.

Optional: Apply Sto Primer to cured base coat.

8.



New finish installed

Completed repair

8. Complete the repair by installing matching finish as noted in Sto reStore Detail 72.50. Do not install finish on any surface to receive sealant. If Sto Primer is used then it may be returned onto a surface that will receive sealant.

If a sill flashing is installed, integrate it with the StoGuard Waterproof Air Barrier as illustrated in Sto Detail 10.26A. The flashing must drain out-bound of the wall surface.

Protect the new finish until dry.

Depending on the age of the original finish the repair may remain visible as a repair. Texture may be slightly different from the original and the color may differ slightly. Over time the repair will 'weather-in' and be less noticeable.

IF a more uniform finish is required refer to ReStore Detail 72.01 Recoat with Smooth Coating or 72.02 Rebase with Texture Coating for alternate finishing procedures.

**Sto Corp.**

3800 Camp Creek Parkway  
 Building 1400, Suite 120  
 Atlanta, GA 30331  
 Phone 404-346-3666  
 Toll Free 888-786-3437  
 Fax 404-346-3119  
[www.stocorp.com](http://www.stocorp.com)

**Attention**

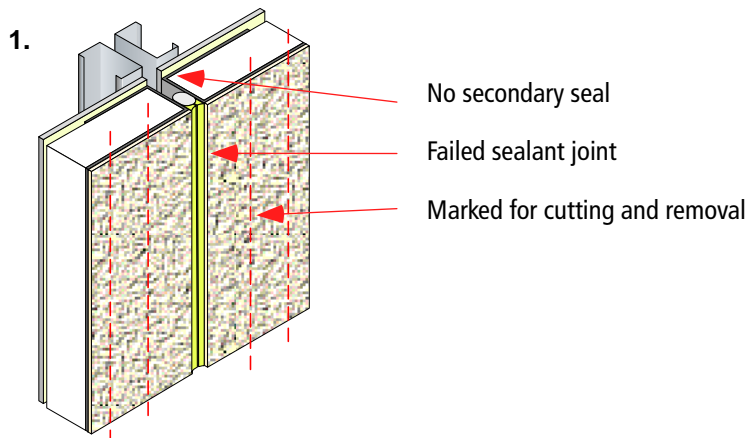
Sto products are intended for use by qualified professional contractors, not consumers, as a component of a larger construction assembly as specified by a qualified design professional, general contractor or builder. They should be installed in accordance with those specifications and Sto's instructions. Sto Corp. disclaims all, and assumes no, liability for on-site inspections, for its products applied improperly, or by unqualified persons or entities, or as part of an improperly designed or constructed building, for the nonperformance of adjacent building components or assemblies, or for other construction activities beyond Sto's control. Improper use of Sto products or use as part of an improperly designed or constructed larger assembly or building may result in serious damage to Sto products, and to the structure of the building or its components. **STO CORP DISCLAIMS ALL WARRANTIES EXPRESS OR IMPLIED EXCEPT FOR EXPLICIT LIMITED WRITTEN WARRANTIES ISSUED TO AND ACCEPTED BY BUILDING OWNERS IN ACCORDANCE WITH STO'S WARRANTY PROGRAMS WHICH ARE SUBJECT TO CHANGE FROM TIME TO TIME.** For the fullest, most current information on proper application, clean-up, mixing and other specifications and warranties, cautions and disclaimers, please refer to the Sto Corp. website, [www.stocorp.com](http://www.stocorp.com).



# Sto reStore Two Stage joint Replacement

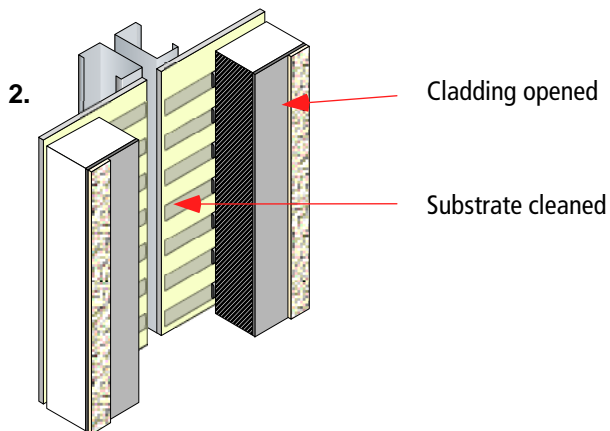
Detail No.: 74.50

Date: February 2012



1. Procedure illustrates installation of a new sealant joint with an additional secondary seal at the substrate.

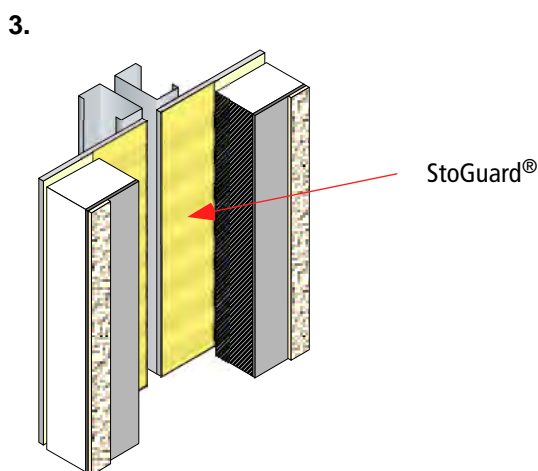
**Note:** Sealant is not part of the EIF system but is a normal component of construction installed to accommodate movement and maintain water deflection surface of the cladding assembly. Any repair should be undertaken with consultation from the sealant supplier.



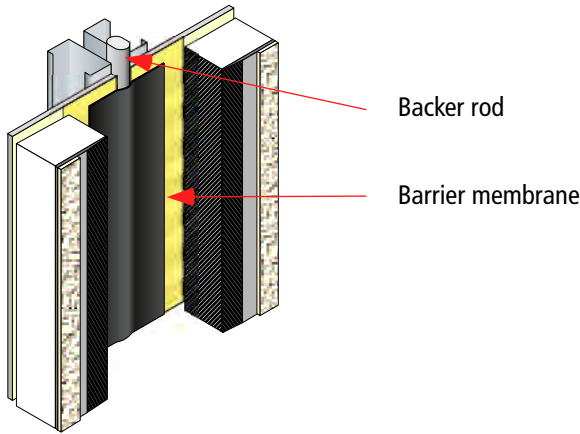
2. Provide protection from inclement weather while the sealant is being removed and during the period that the joint is open.

Inspect the sheathing, where possible, for any water damage. If any damage is detected, stop work and contact experts for further remedial action.

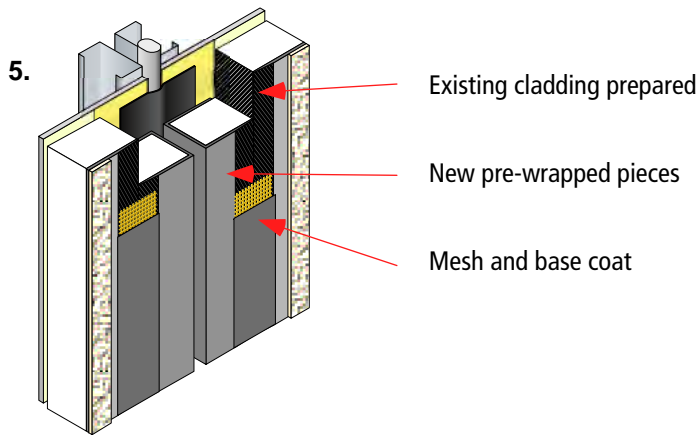
Clean the substrate of debris or old adhesive. Repair minor damage to the sheathing.



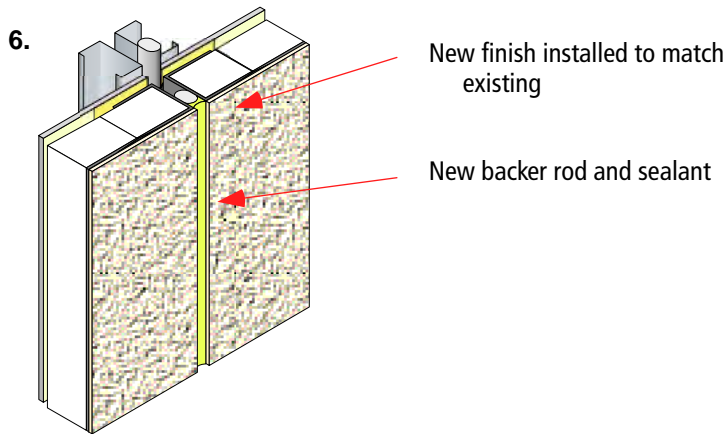
3. Protect the exposed substrate with StoGuard Waterproof Air Barrier.



4. Install backer rod into the joint and a barrier membrane over the joint. Install the barrier membrane as per membrane manufacturer's instructions.



5. Prepare the existing EIFS and insert new pre-wrapped pieces as illustrated in Sto reStore Detail 72.50.



6. Complete the repair with matching finish. Protect the new finish until dry.

Install new sealant joint as per sealant manufacturer's instructions.

Depending on the age of the original finish the repair may remain visible as a repair. Texture may be slightly different from the original and the color may differ slightly. Over time the repair will 'weather-in' and be less noticeable.

If a more uniform finish is required refer to ReStore Detail 72.02 Recoat with Smooth Coating or 72.03 Rebase with Texture Coating for alternate finishing procedures.

**Sto Corp.**  
3800 Camp Creek Parkway  
Building 1400, Suite 120  
Atlanta, GA 30331  
Phone 404-346-3666  
Toll Free 888-786-3437  
Fax 404-346-3119  
[www.stocorp.com](http://www.stocorp.com)

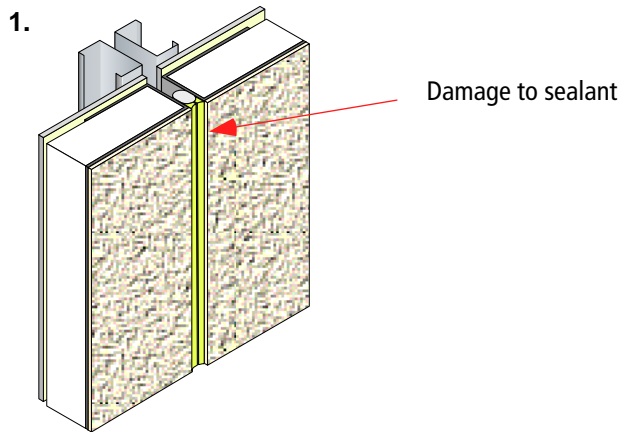
### Attention

Sto products are intended for use by qualified professional contractors, not consumers, as a component of a larger construction assembly as specified by a qualified design professional, general contractor or builder. They should be installed in accordance with those specifications and Sto's instructions. Sto Corp. disclaims all, and assumes no, liability for on-site inspections, for its products applied improperly, or by unqualified persons or entities, or as part of an improperly designed or constructed building, for the nonperformance of adjacent building components or assemblies, or for other construction activities beyond Sto's control. Improper use of Sto products or use as part of an improperly designed or constructed larger assembly or building may result in serious damage to Sto products, and to the structure of the building or its components. **STO CORP DISCLAIMS ALL WARRANTIES EXPRESS OR IMPLIED EXCEPT FOR EXPLICIT LIMITED WRITTEN WARRANTIES ISSUED TO AND ACCEPTED BY BUILDING OWNERS IN ACCORDANCE WITH STO'S WARRANTY PROGRAMS WHICH ARE SUBJECT TO CHANGE FROM TIME TO TIME.** For the fullest, most current information on proper application, clean-up, mixing and other specifications and warranties, cautions and disclaimers, please refer to the Sto Corp. website, [www.stocorp.com](http://www.stocorp.com).

# Sto reStore Sealant Replacement

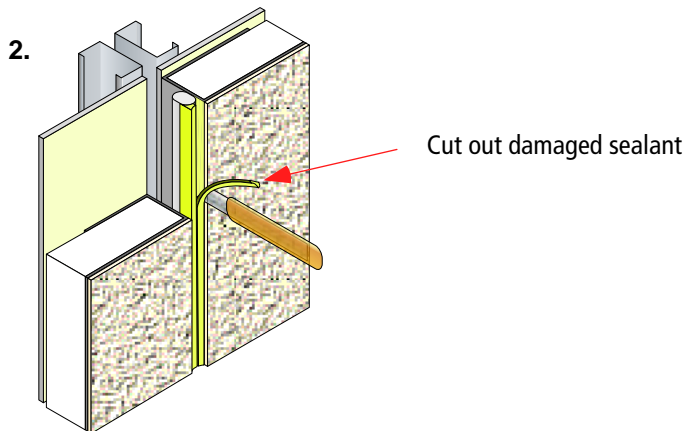
Detail No.: 74.52

Date: February 2012



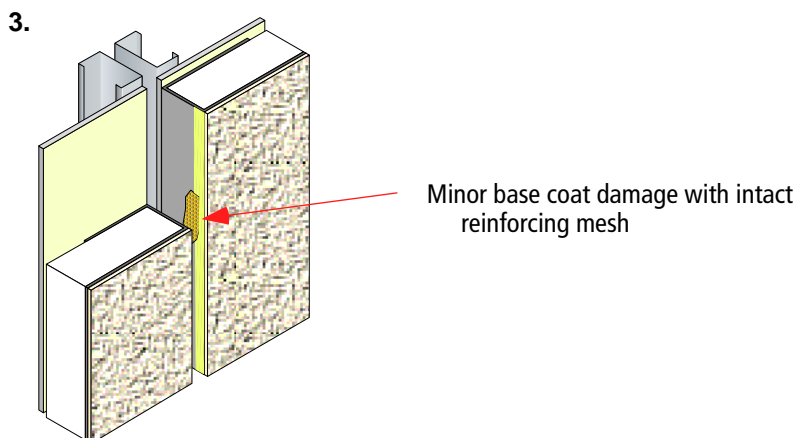
1. Procedure illustrates a preparation method for EIFS where a sealant joint has failed and is going to be replaced.

**Note:** Sealant is not part of the EIF system but is a normal component of construction installed to accommodate movement and maintain water deflection surface of the cladding assembly. Any repair should be undertaken with consultation from the sealant supplier.



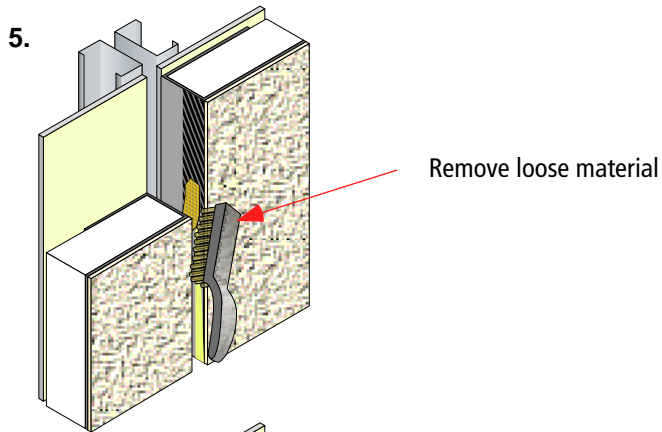
2. Provide protection from inclement weather while the sealant is being removed and during the period that the joint is open.

Cut the sealant joint out as close to the base coat as possible without damage to the base coat.

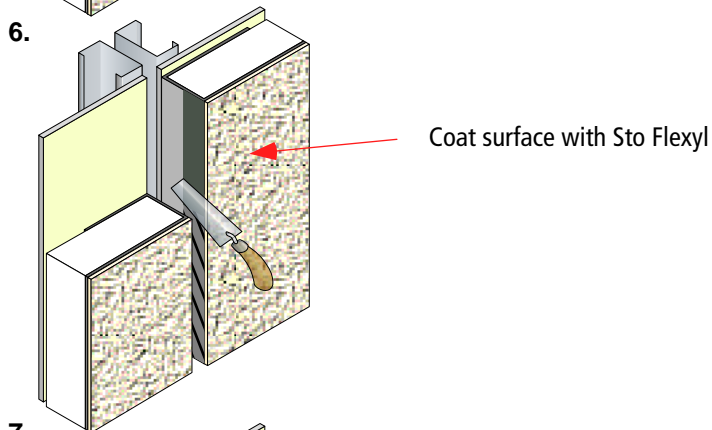


3. When the sealant has been removed inspect the EIFS for damage. If the reinforcing mesh was not completely back-wrapped in the initial application then the new base coat and mesh will have to be installed as per Sto reStore Detail 74.50.

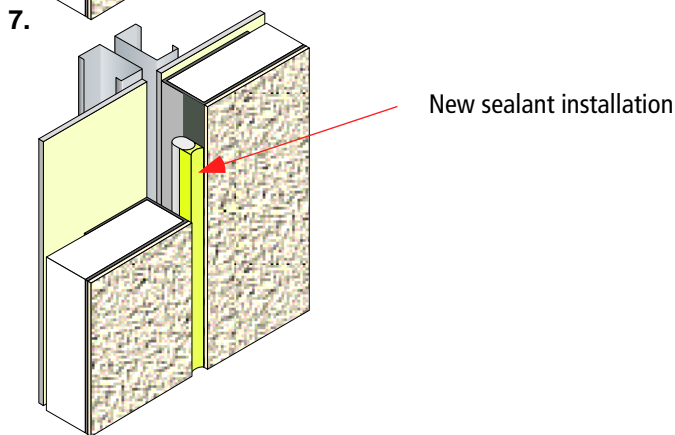
Inspect the sheathing, where possible, for any water damage. If any damage is detected, stop work and contact experts for further remedial action.



5. Remove all loose material and remaining sealant in the joint.



6. Re-coat the EIFS base coat surface within the joint with Sto Flexyl. Allow the Flexyl to cure for a minimum of 24 hours.



7. Re-install new backer rod and sealant as recommended by the sealant manufacturer.

**Sto Corp.**  
 3800 Camp Creek Parkway  
 Building 1400, Suite 120  
 Atlanta, GA 30331  
 Phone 404-346-3666  
 Toll Free 888-786-3437  
 Fax 404-346-3119  
[www.stocorp.com](http://www.stocorp.com)

### Attention

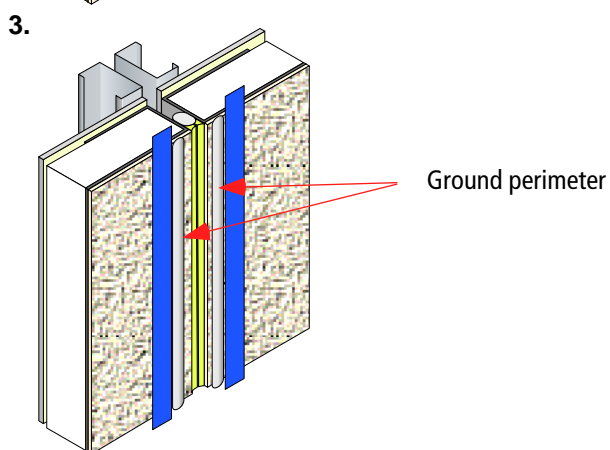
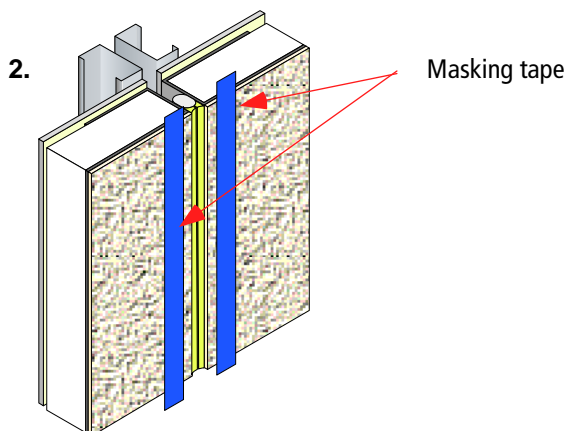
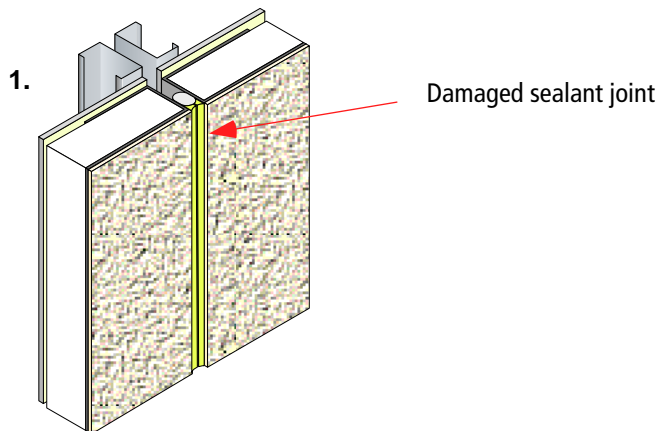
Sto products are intended for use by qualified professional contractors, not consumers, as a component of a larger construction assembly as specified by a qualified design professional, general contractor or builder. They should be installed in accordance with those specifications and Sto's instructions. Sto Corp. disclaims all, and assumes no, liability for on-site inspections, for its products applied improperly, or by unqualified persons or entities, or as part of an improperly designed or constructed building, for the nonperformance of adjacent building components or assemblies, or for other construction activities beyond Sto's control. Improper use of Sto products or use as part of an improperly designed or constructed larger assembly or building may result in serious damage to Sto products, and to the structure of the building or its components. **STO CORP DISCLAIMS ALL WARRANTIES EXPRESS OR IMPLIED EXCEPT FOR EXPLICIT LIMITED WRITTEN WARRANTIES ISSUED TO AND ACCEPTED BY BUILDING OWNERS IN ACCORDANCE WITH STO'S WARRANTY PROGRAMS WHICH ARE SUBJECT TO CHANGE FROM TIME TO TIME.** For the fullest, most current information on proper application, clean-up, mixing and other specifications and warranties, cautions and disclaimers, please refer to the Sto Corp. website, [www.stocorp.com](http://www.stocorp.com).



# Sto reStore Membrane Joint Repair

Detail No.: 74.53

Date: February 2012



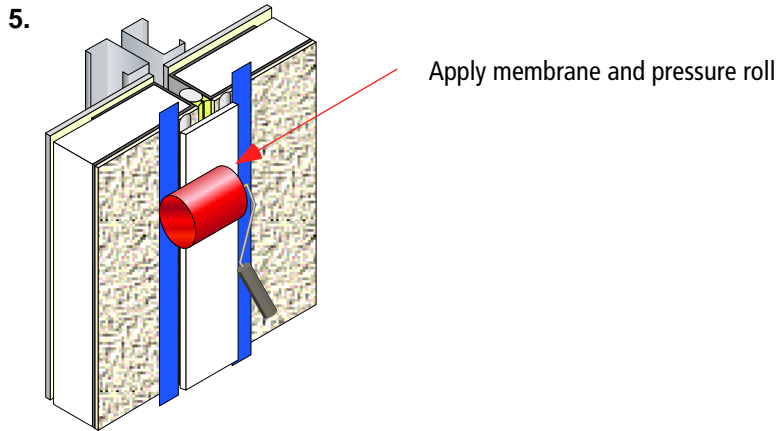
1. Procedure illustrates a preparation method for EIFS where a sealant joint has failed and covered with a membrane.

**Note:** Sealant is not part of the EIF system but is a normal component of construction installed to accommodate movement and maintain water deflection surface of the cladding assembly. Any repair should be undertaken with consultation from the sealant supplier.

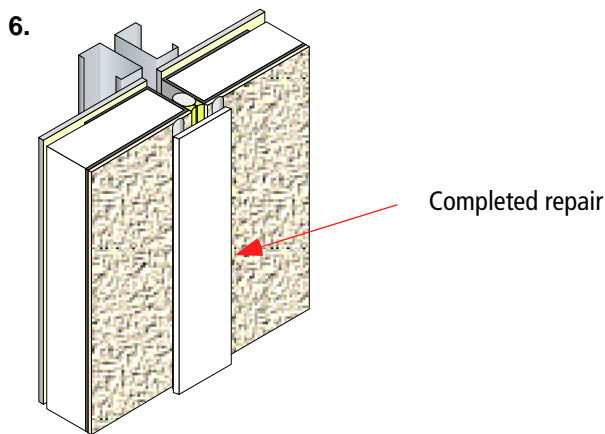
2. Follow the instructions and specifications of the supplier of the membrane joint cover.

Mask of the area on each side of the of sealant joint.

3. Add beads of sealant on either side of the joint.



5. Immediately embed the joint membrane into the wet sealant and pressure roll with a hard roller.



6. Tool any wet sealant on the tape into the edge of the membrane before removing the masking tape. If the sealant has cured prior to removing the tape then carefully slice the sealant along the edge of the membrane prior to removing the masking tape.

**Sto Corp.**  
 3800 Camp Creek Parkway  
 Building 1400, Suite 120  
 Atlanta, GA 30331  
 Phone 404-346-3666  
 Toll Free 888-786-3437  
 Fax 404-346-3119  
[www.stocorp.com](http://www.stocorp.com)

### Attention

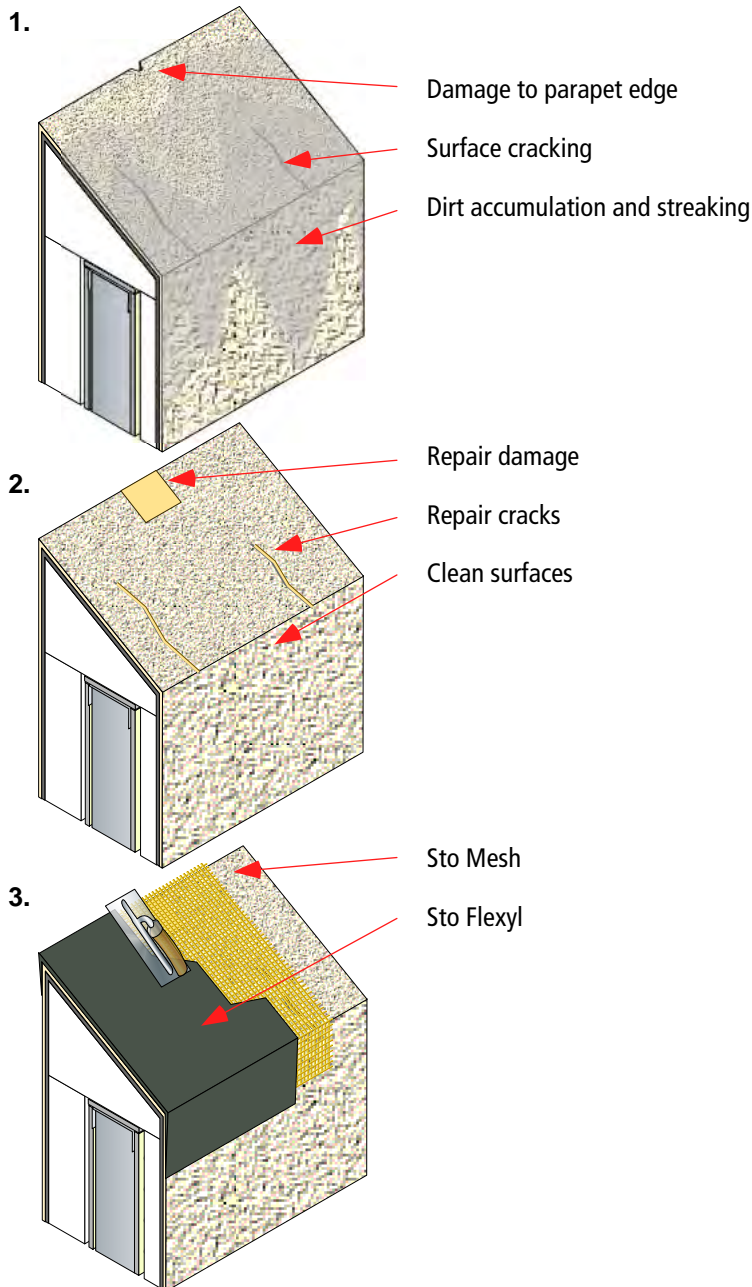
Sto products are intended for use by qualified professional contractors, not consumers, as a component of a larger construction assembly as specified by a qualified design professional, general contractor or builder. They should be installed in accordance with those specifications and Sto's instructions. Sto Corp. disclaims all, and assumes no, liability for on-site inspections, for its products applied improperly, or by unqualified persons or entities, or as part of an improperly designed or constructed building, for the nonperformance of adjacent building components or assemblies, or for other construction activities beyond Sto's control. Improper use of Sto products or use as part of an improperly designed or constructed larger assembly or building may result in serious damage to Sto products, and to the structure of the building or its components. **STO CORP DISCLAIMS ALL WARRANTIES EXPRESS OR IMPLIED EXCEPT FOR EXPLICIT LIMITED WRITTEN WARRANTIES ISSUED TO AND ACCEPTED BY BUILDING OWNERS IN ACCORDANCE WITH STO'S WARRANTY PROGRAMS WHICH ARE SUBJECT TO CHANGE FROM TIME TO TIME.** For the fullest, most current information on proper application, clean-up, mixing and other specifications and warranties, cautions and disclaimers, please refer to the Sto Corp. website, [www.stocorp.com](http://www.stocorp.com).

# Sto reStore

## Parapet repair and restoration

Detail No.: 74.60

Date: December 2010



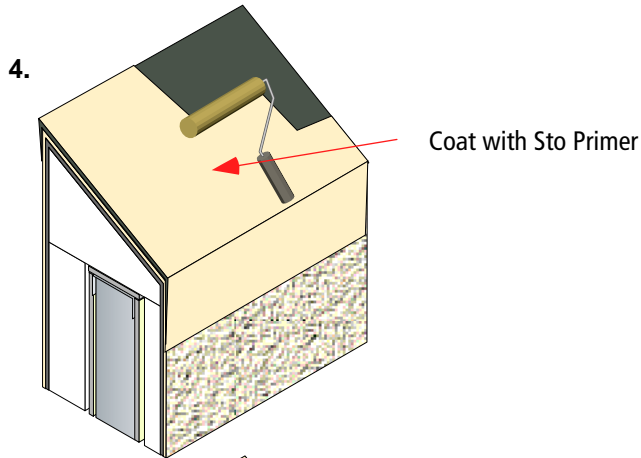
1. EIFS parapet caps were a popular method of providing clean lines in a facade design. As a result of the exposure to weather and physical damage, additional maintenance is required. The procedure illustrated here shows how to repair the damage and provide a method for recoating and finishing. There will still be a requirement for increased maintenance. A more durable replacement alternative is shown in Sto reStore Detail 74.61.

2. Clean surfaces as per StoTherm® EIFS Reference Guide: Repair and Maintenance, Cleaning EIFS 1.01.

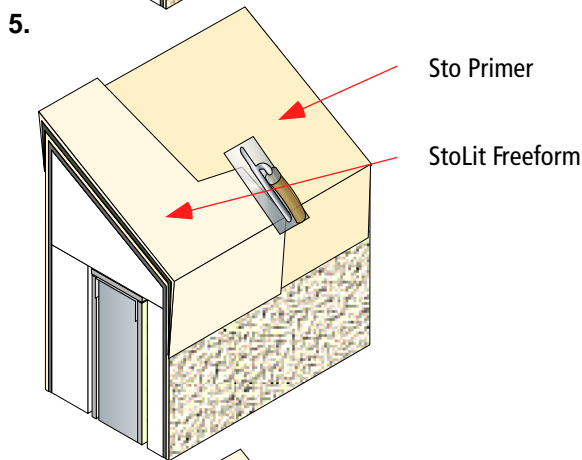
Repair impact damage as illustrated in Sto reStore Detail 74.06 or 74.08.

Repair cracks as illustrated in Sto reStore Detail 74.05.

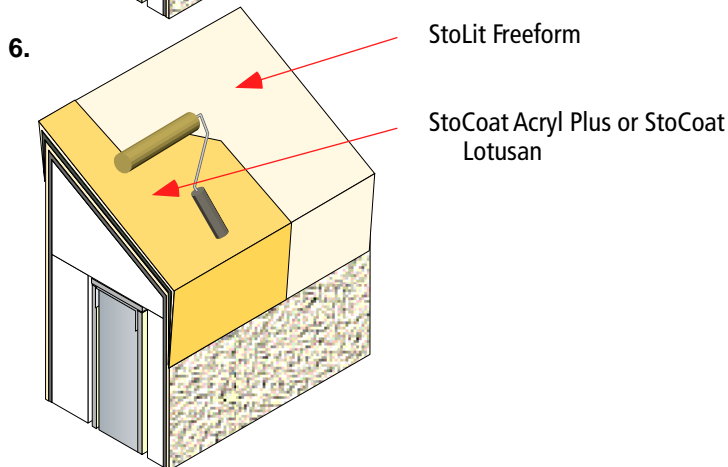
3. When repairs and cleaning are complete, coat the exposed surface with Sto Flexyl waterproofing. Immediately trowel Sto Mesh into the wet Sto Flexyl and trowel to a smooth surface. Wet material thickness maximum 1/16" (1.6 mm). Allow the Flexyl to dry for 24 hours.



4. Coat the dry Sto Flexyl with Sto Primer.



5. Apply StoLit Freeform to the primed surface and trowel to a smooth finish. Protect from the elements until dry.



6. Coat the dry StoLit Freeform with either StoCoat Acryl Plus or StoCoat Lotusan with a paint roller or spray equipment. Protect other surfaces from over spray.

Note: The materials listed here are designed to improve the durability and water resistance of the EIFS parapet cap. The user must understand that any exposed surface requires regular inspection and maintenance. That is true for this solution as well.

**Sto Corp.**  
 3800 Camp Creek Parkway  
 Building 1400, Suite 120  
 Atlanta, GA 30331  
 Phone 404-346-3666  
 Toll Free 888-786-3437  
 Fax 404-346-3119  
[www.stocorp.com](http://www.stocorp.com)

### Attention

Sto products are intended for use by qualified professional contractors, not consumers, as a component of a larger construction assembly as specified by a qualified design professional, general contractor or builder. They should be installed in accordance with those specifications and Sto's instructions. Sto Corp. disclaims all, and assumes no, liability for on-site inspections, for its products applied improperly, or by unqualified persons or entities, or as part of an improperly designed or constructed building, for the nonperformance of adjacent building components or assemblies, or for other construction activities beyond Sto's control. Improper use of Sto products or use as part of an improperly designed or constructed larger assembly or building may result in serious damage to Sto products, and to the structure of the building or its components. **STO CORP. DISCLAIMS ALL WARRANTIES EXPRESS OR IMPLIED EXCEPT FOR EXPLICIT LIMITED WRITTEN WARRANTIES ISSUED TO AND ACCEPTED BY BUILDING OWNERS IN ACCORDANCE WITH STO'S WARRANTY PROGRAMS WHICH ARE SUBJECT TO CHANGE FROM TIME TO TIME.** For the fullest, most current information on proper application, clean-up, mixing and other specifications and warranties, cautions and disclaimers, please refer to the Sto Corp. website, [www.stocorp.com](http://www.stocorp.com).

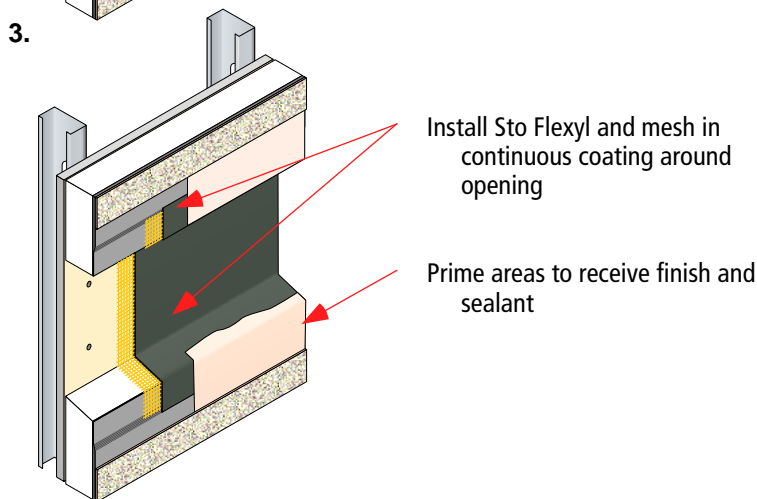
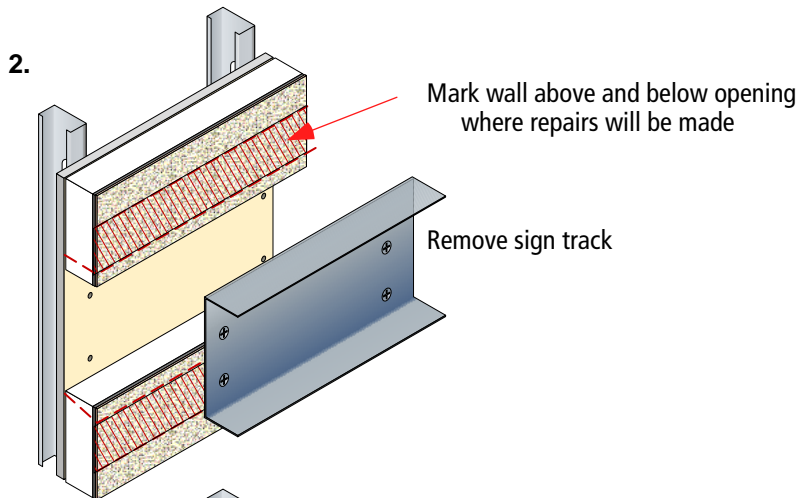
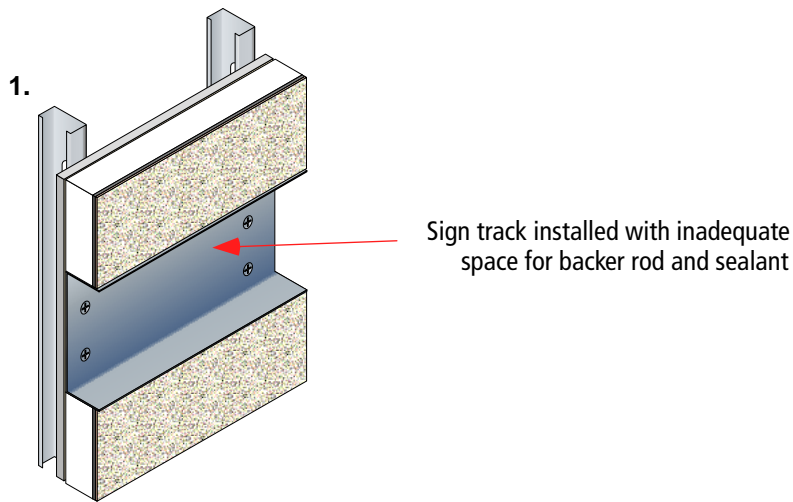


# Sto reStore

## Sign repair: non wood substrates

Detail No.: 74.82a

Date: December 2010



1. Procedure illustrates repairs to sign track set into an EIFS cladding with inadequate protection against water penetration through or around the perimeter of the sign. Gypsum based sheathing is installed behind the signage.

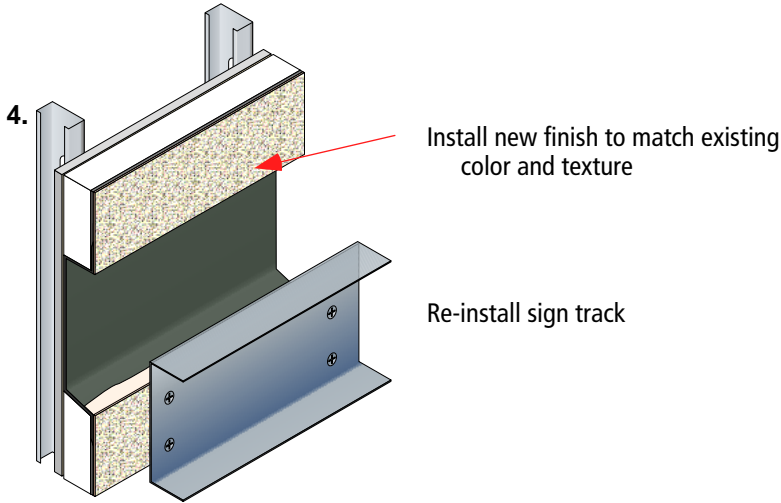
2. Remove the sign track and mark the EIFS 6" (150 mm) above and below the opening. Cut the EIFS back 3/4" (20 mm) on the top edge and the bottom edge. Cut the bottom edge on a slope.

Prepare the base coat and finish above and below the opening as outlined in Sto reStore Detail 74.06 except that insulation will not be placed into the opening.

Inspect the substrate behind the sign channel for damage. Modify the scope of work to include repair to the substrate if necessary.

3. Install Sto Flexyl and Sto Mesh overlapping the existing base coat and mesh 2.5" (65 mm) as outlined in Sto reStore Detail 74.06. Wrap the Sto Flexyl and mesh from the face of the upper and lower insulation, over the new cut edge, and over the gypsum based sheathing. Allow the Sto Flexyl to cure for a minimum of 24 hours.

Coat the dry Sto Flexyl where finish and sealant will be installed with Sto Primer.



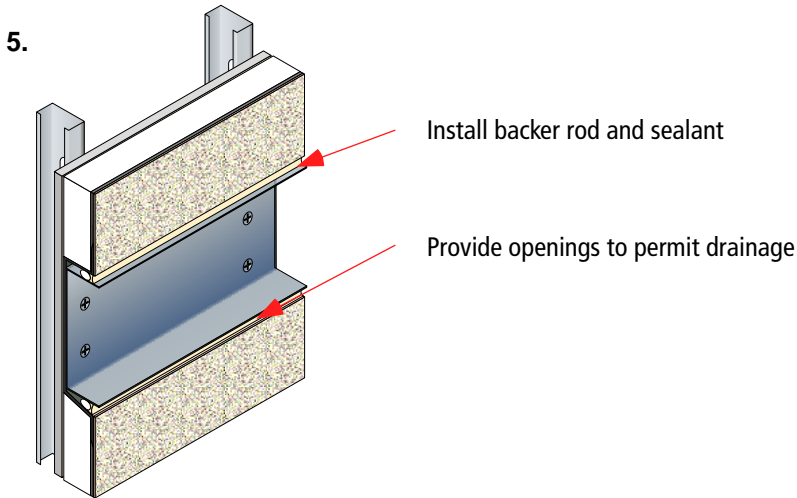
4. Re-mask the area around the edge of the finish. Install new finish within area protected by the masking tape. Immediately remove the masking tape and blend the new finish into the existing with a brush or other appropriate tool.

Protect the new finish until dry.

Depending on the age of the original finish the repair may remain visible as a repair. Texture may be slightly different from the original and the color may differ slightly. Over time the repair will 'weather in' and be less noticeable.

IF a more uniform finish is required refer to ReStore Detail 72.01 Recoat with Smooth Coating or 72.02 Rebase with Texture Coating for alternate finishing procedures.

Re-install sign track. Set new fasteners and electrical connections into sealant to prevent water penetration into the interior.



5. Install closed cell backer rod and neutral-cure silicone sealant in the space between the sign track and the Sto Primer and Flexyl. Check with sealant manufacturer for appropriate sealant and sealant primer, if required. Leave gaps in the sealant to allow water that penetrates the sign or sign track to drain.

**Sto Corp.**  
 3800 Camp Creek Parkway  
 Building 1400, Suite 120  
 Atlanta, GA 30331  
 Phone 404-346-3666  
 Toll Free 888-786-3437  
 Fax 404-346-3119  
[www.stocorp.com](http://www.stocorp.com)

### Attention

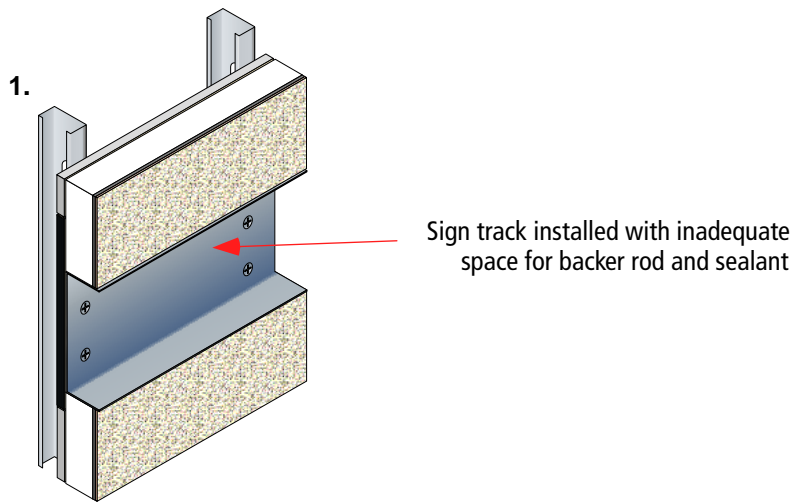
Sto products are intended for use by qualified professional contractors, not consumers, as a component of a larger construction assembly as specified by a qualified design professional, general contractor or builder. They should be installed in accordance with those specifications and Sto's instructions. Sto Corp. disclaims all, and assumes no, liability for on-site inspections, for its products applied improperly, or by unqualified persons or entities, or as part of an improperly designed or constructed building, for the nonperformance of adjacent building components or assemblies, or for other construction activities beyond Sto's control. Improper use of Sto products or use as part of an improperly designed or constructed larger assembly or building may result in serious damage to Sto products, and to the structure of the building or its components. **STO CORP DISCLAIMS ALL WARRANTIES EXPRESS OR IMPLIED EXCEPT FOR EXPLICIT LIMITED WRITTEN WARRANTIES ISSUED TO AND ACCEPTED BY BUILDING OWNERS IN ACCORDANCE WITH STO'S WARRANTY PROGRAMS WHICH ARE SUBJECT TO CHANGE FROM TIME TO TIME.** For the fullest, most current information on proper application, clean-up, mixing and other specifications and warranties, cautions and disclaimers, please refer to the Sto Corp. website, [www.stocorp.com](http://www.stocorp.com).

# Sto reStore

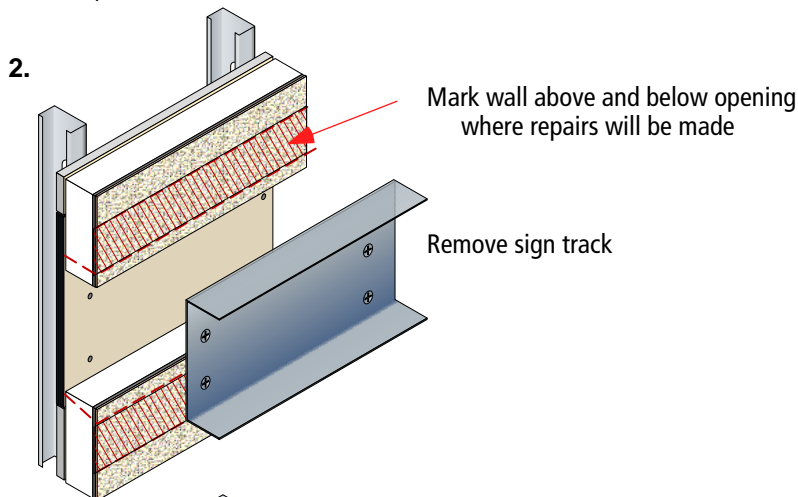
## Sign repair: wood substrates

Detail No.: 74.82b

Date: December 2010



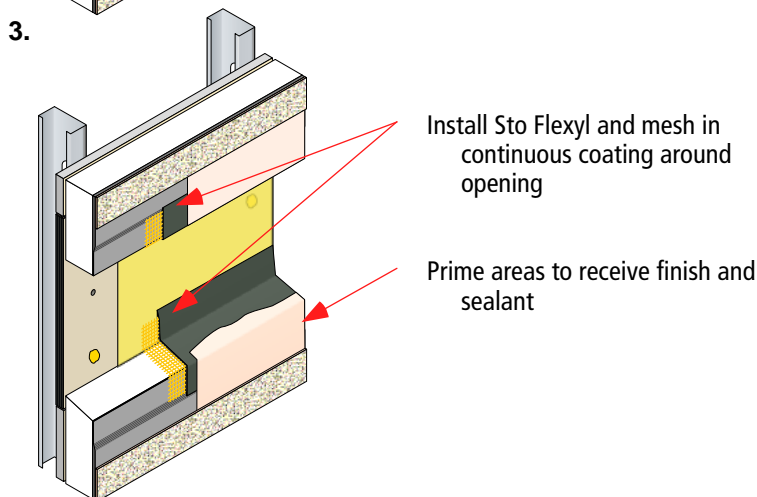
1. Procedure illustrates repairs to sign track set into an EIFS cladding with inadequate protection against water penetration through or around the perimeter of the sign. Wood based sheathing is installed behind the sign track.



2. Remove the sign track and mark the EIFS 6" (150 mm) above and below the opening. Cut the EIFS back 3/4" (20 mm) on the top edge and the bottom edge. Cut the bottom edge on a slope.

Prepare the base coat and finish above and below the opening as outlined in Sto reStore Detail 74.06 except that insulation will not be placed into the opening.

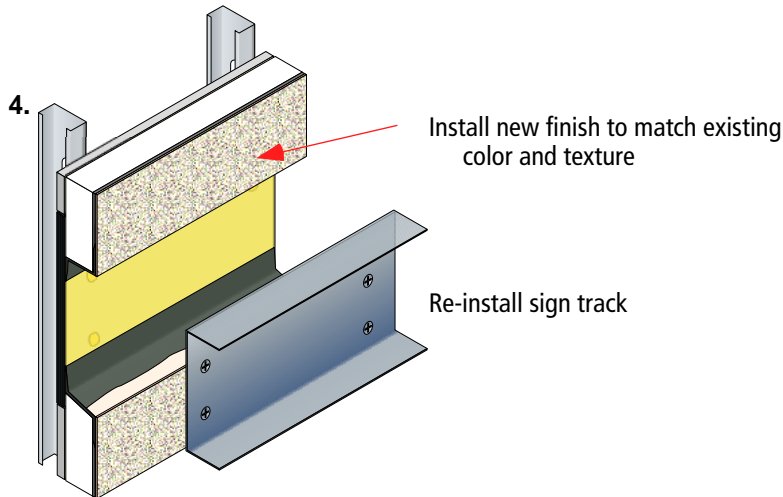
Inspect the substrate behind the sign channel for damage. Modify the scope of work to include repair to the substrate if necessary.



3. Install StoGuard® Waterproofing and Airbarrier onto the wood sheathing. Patch all fastener holes and seal electrical penetrations to prevent air and moisture movement into the interior. Allow the StoGuard to dry.

Install Sto Flexyl and Sto Mesh overlapping the existing base coat and mesh 2.5" (65 mm) as outlined in Sto reStore Detail 74.06 . Wrap the Sto Flexyl and mesh from the face of the upper and lower insulation, over the new cut edge, and onto the dry StoGuard. Allow the Sto Flexyl to cure for a minimum of 24 hours.

Coat the dry Sto Flexyl where finish and sealant will be installed with Sto Primer.



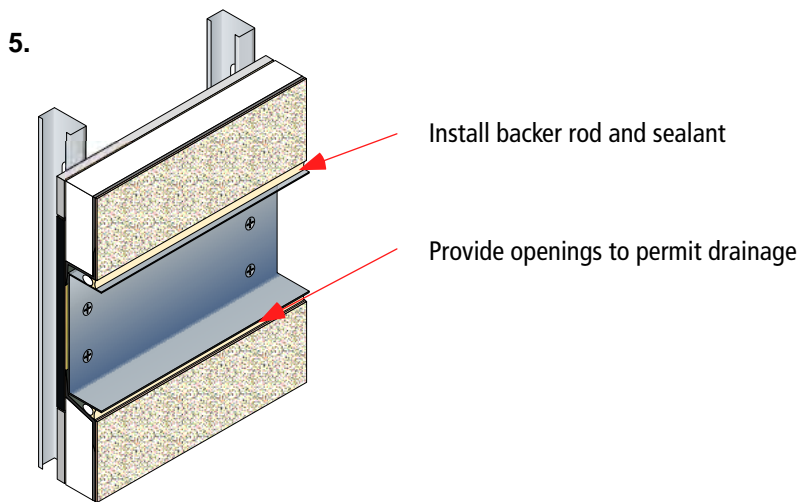
4. Re-mask the area around the edge of the finish. Install new finish within area protected by the masking tape. Immediately remove the masking tape and blend the new finish into the existing with a brush or other appropriate tool.

Protect the new finish until dry.

Depending on the age of the original finish the repair may remain visible as a repair. Texture may be slightly different from the original and the color may differ slightly. Over time the repair will 'weather-in' and be less noticeable.

IF a more uniform finish is required refer to ReStore Detail 72.01 Recoat with Smooth Coating or 72.02 Rebase with Texture Coating for alternate finishing procedures.

Re-install sign track. Set new fasteners and electrical connections into sealant to prevent water penetration into the interior.



5. Install closed cell backer rod and neutral-cure silicone sealant in the space between the sign track and the Sto Primer and Flexyl. Check with sealant manufacturer for appropriate sealant and sealant primer, if required. Leave gaps in the sealant to allow water that penetrates the sign or sign track to drain.

**Sto Corp.**  
 3800 Camp Creek Parkway  
 Building 1400, Suite 120  
 Atlanta, GA 30331  
 Phone 404-346-3666  
 Toll Free 888-786-3437  
 Fax 404-346-3119  
[www.stocorp.com](http://www.stocorp.com)

### Attention

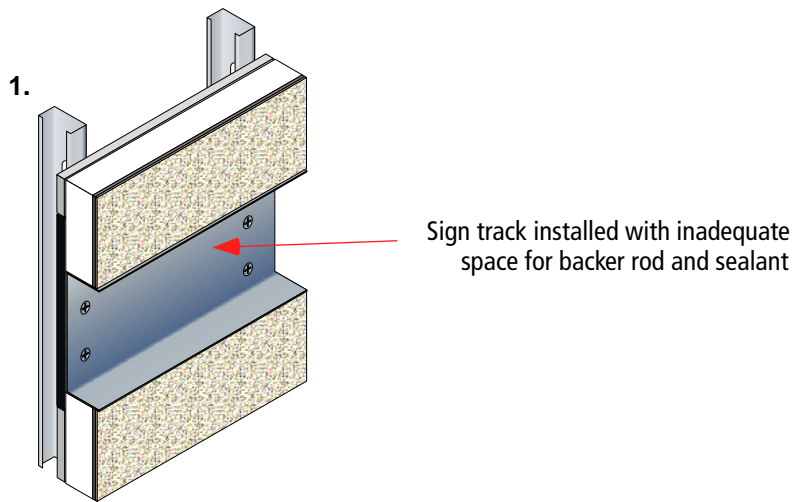
Sto products are intended for use by qualified professional contractors, not consumers, as a component of a larger construction assembly as specified by a qualified design professional, general contractor or builder. They should be installed in accordance with those specifications and Sto's instructions. Sto Corp. disclaims all, and assumes no, liability for on-site inspections, for its products applied improperly, or by unqualified persons or entities, or as part of an improperly designed or constructed building, for the nonperformance of adjacent building components or assemblies, or for other construction activities beyond Sto's control. Improper use of Sto products or use as part of an improperly designed or constructed larger assembly or building may result in serious damage to Sto products, and to the structure of the building or its components. **STO CORP. DISCLAIMS ALL WARRANTIES EXPRESS OR IMPLIED EXCEPT FOR EXPLICIT LIMITED WRITTEN WARRANTIES ISSUED TO AND ACCEPTED BY BUILDING OWNERS IN ACCORDANCE WITH STO'S WARRANTY PROGRAMS WHICH ARE SUBJECT TO CHANGE FROM TIME TO TIME.** For the fullest, most current information on proper application, clean-up, mixing and other specifications and warranties, cautions and disclaimers, please refer to the Sto Corp. website, [www.stocorp.com](http://www.stocorp.com).



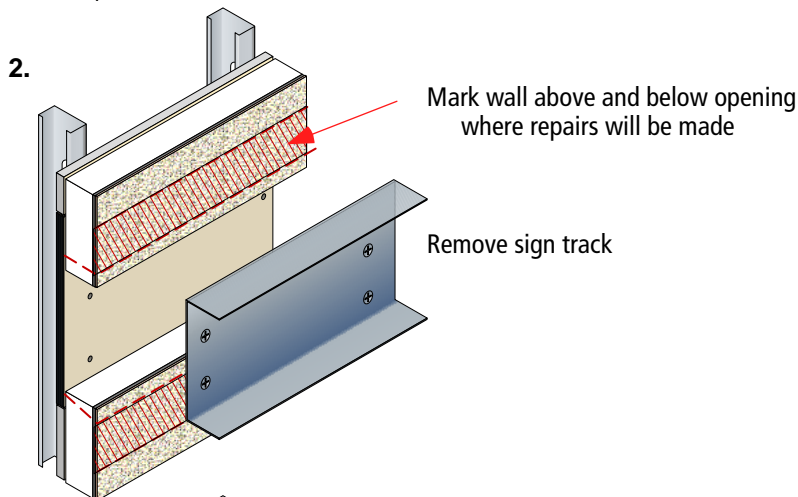
# Sto reStore Sign repair with flashing

Detail No.: 74.82c

Date: December 2010



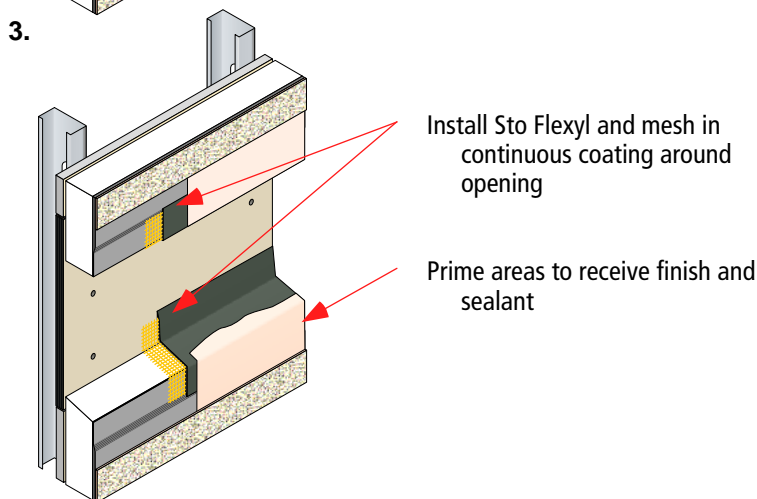
1. Procedure illustrates repairs to sign track set into an EIFS cladding with inadequate protection against water penetration through or around the perimeter of the sign. Wood based sheathing is installed behind the sign track.



2. Remove the sign track and mark the EIFS 6" (150 mm) above and below the opening. Cut the EIFS back 3/4" (20 mm) on the top edge and the bottom edge. Cut the bottom edge on a slope.

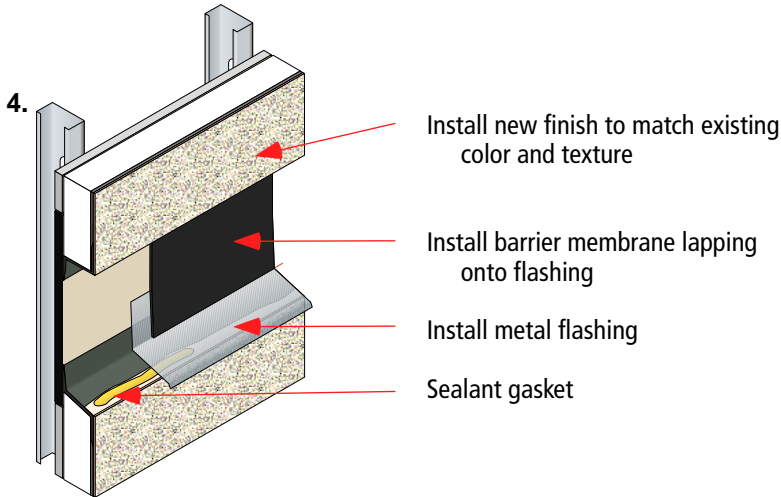
Prepare the base coat and finish above and below the opening as outlined in Sto reStore Detail 74.06 except that insulation will not be placed into the opening.

Inspect the substrate behind the sign channel for damage. Modify the scope of work to include repair to the substrate if necessary.



3. Install Sto Flexyl and Sto Mesh overlapping the existing base coat and mesh 2.5" (65 mm) as outlined in Sto reStore Detail 74.06 . Wrap the Sto Flexyl and mesh from the face of the upper and lower insulation, over the new cut edge, and onto the wood sheathing. Allow the Sto Flexyl to cure for a minimum of 24 hours.

Coat the dry Sto Flexyl where finish and sealant will be installed with Sto Primer.



4. Re-mask the area around the edge of the finish. Install new finish within area protected by the masking tape. Immediately remove the masking tape and blend the new finish into the existing with a brush or other appropriate tool.

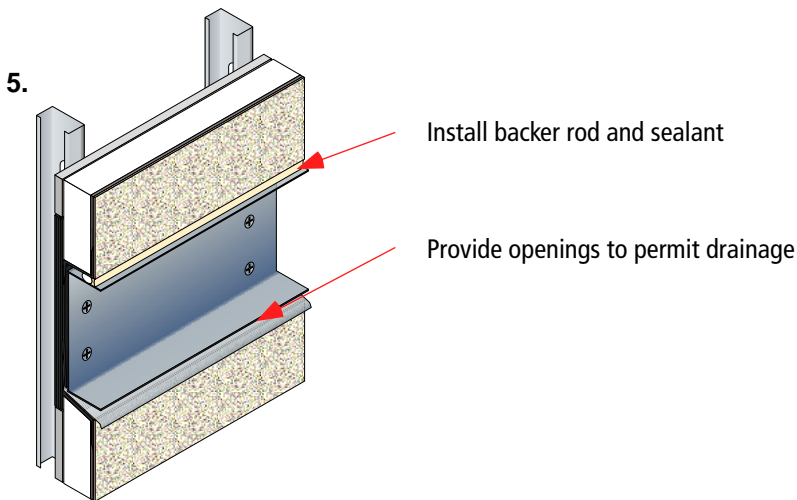
Protect the new finish until dry.

Depending on the age of the original finish the repair may remain visible as a repair. Texture may be slightly different from the original and the color may differ slightly. Over time the repair will 'weather-in' and be less noticeable.

IF a more uniform finish is required refer to ReStore Detail 72.01 Recoat with Smooth Coating or 72.02 Rebase with Texture Coating for alternate finishing procedures.

Install metal flashing at lower edge of opening and set it into a sealant gasket. Install a barrier membrane over the wood substrate, lapping over the Sto Flexyl at the top and the flashing at the bottom.

Re-install sign track. Set new fasteners and electrical connections into sealant to prevent water penetration into the interior.



5. Install closed cell backer rod and neutral-cure silicone sealant in the space between the sign track and the Sto Primer and Flexyl. Check with sealant manufacturer for appropriate sealant and sealant primer, if required. Leave gaps in the sealant to allow water that penetrates the sign or sign track to drain.

**Sto Corp.**  
 3800 Camp Creek Parkway  
 Building 1400, Suite 120  
 Atlanta, GA 30331  
 Phone 404-346-3666  
 Toll Free 888-786-3437  
 Fax 404-346-3119  
[www.stocorp.com](http://www.stocorp.com)

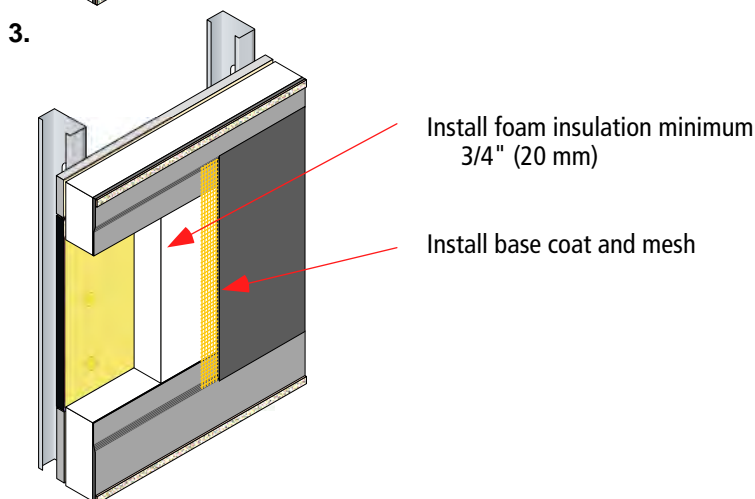
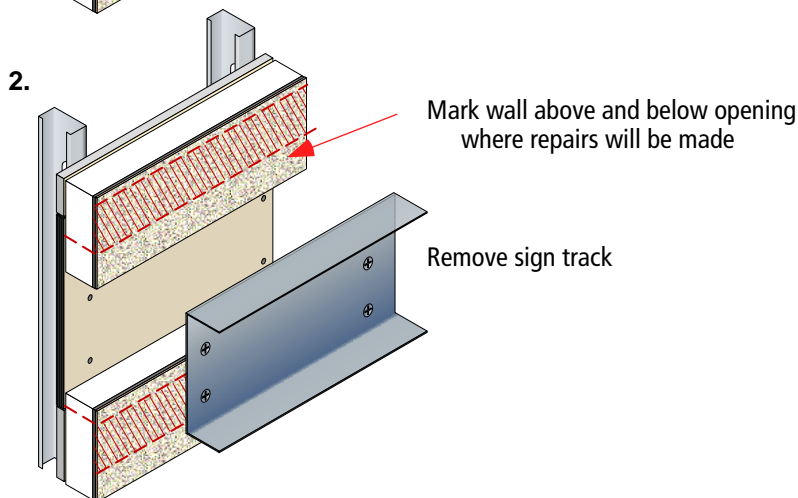
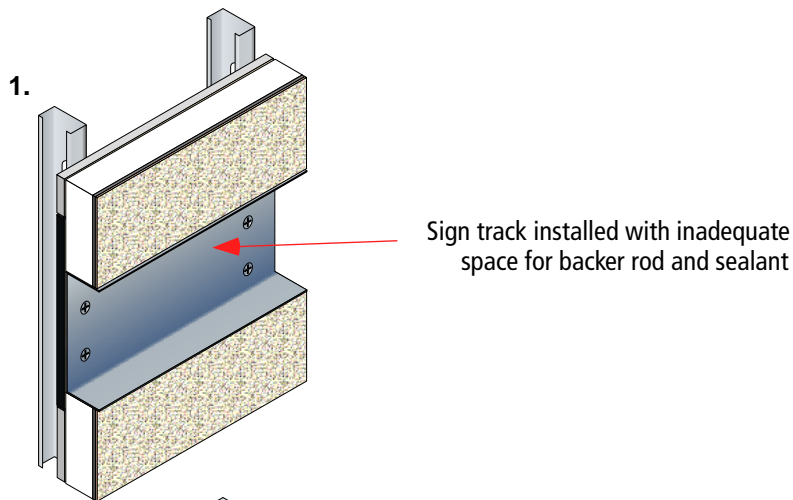
### Attention

Sto products are intended for use by qualified professional contractors, not consumers, as a component of a larger construction assembly as specified by a qualified design professional, general contractor or builder. They should be installed in accordance with those specifications and Sto's instructions. Sto Corp. disclaims all, and assumes no, liability for on-site inspections, for its products applied improperly, or by unqualified persons or entities, or as part of an improperly designed or constructed building, for the nonperformance of adjacent building components or assemblies, or for other construction activities beyond Sto's control. Improper use of Sto products or use as part of an improperly designed or constructed larger assembly or building may result in serious damage to Sto products, and to the structure of the building or its components. **STO CORP. DISCLAIMS ALL WARRANTIES EXPRESS OR IMPLIED EXCEPT FOR EXPLICIT LIMITED WRITTEN WARRANTIES ISSUED TO AND ACCEPTED BY BUILDING OWNERS IN ACCORDANCE WITH STO'S WARRANTY PROGRAMS WHICH ARE SUBJECT TO CHANGE FROM TIME TO TIME.** For the fullest, most current information on proper application, clean-up, mixing and other specifications and warranties, cautions and disclaimers, please refer to the Sto Corp. website, [www.stocorp.com](http://www.stocorp.com).

# Sto reStore Sign removal

Detail No.: 74.82d

Date: December 2010



1. Procedure illustrates repairs to sign track set into an EIFS cladding with inadequate protection against water penetration through or around the perimeter of the sign. Wood or gypsum based sheathing is installed behind the sign track.

2. Remove the sign track and mark the EIFS 6" (150 mm) above and below the opening. Cut the EIFS back 3/4" (20 mm) on the top edge and the bottom edge.

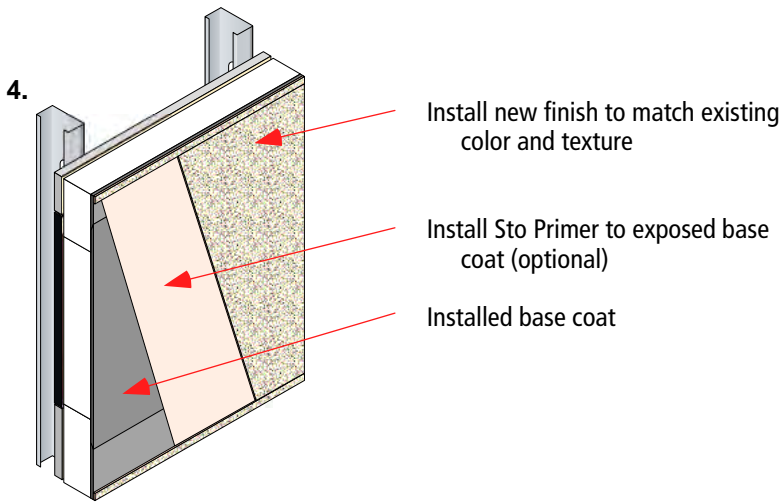
Prepare the base coat and finish above and below the opening as outlined in Sto reStore Detail 74.06.

Inspect the substrate behind the sign channel for damage. Modify the scope of work to include repair to the substrate if necessary.

3. Optional: Install StoGuard® Waterproofing and Air Barrier over the substrate, sealing all penetrations. Allow to dry before installing insulation.

Cut insulation for a tight fit into prepared opening.

Secure insulation using Sto adhesive and allow adhesive to dry. If StoGuard® is used over substrate then Sto cementitious adhesives (e.g.: Sto BTS® Plus) may be used. If StoGuard is not installed over wood use Sto Dispersion Adhesive. Be aware that Sto Dispersion Adhesive uses smaller adhesive ribbons which may result in surface difference in the foam. A thicker piece of insulation may have to be installed and rasped down to matching thickness before proceeding.



4. Re-mask the area around the edge of the finish. Install new finish within area protected by the masking tape. Immediately remove the masking tape and blend the new finish into the existing with a brush or other appropriate tool.

Protect the new finish until dry.

Depending on the age of the original finish the repair may remain visible as a repair. Texture may be slightly different from the original and the color may differ slightly. Over time the repair will 'weather in' and be less noticeable.

IF a more uniform finish is required refer to ReStore Detail 72.01 Recoat with Smooth Coating or 72.02 Rebase with Texture Coating for alternate finishing procedures.

**Sto Corp.**  
 3800 Camp Creek Parkway  
 Building 1400, Suite 120  
 Atlanta, GA 30331  
 Phone 404-346-3666  
 Toll Free 888-786-3437  
 Fax 404-346-3119  
[www.stocorp.com](http://www.stocorp.com)

### Attention

Sto products are intended for use by qualified professional contractors, not consumers, as a component of a larger construction assembly as specified by a qualified design professional, general contractor or builder. They should be installed in accordance with those specifications and Sto's instructions. Sto Corp. disclaims all, and assumes no, liability for on-site inspections, for its products applied improperly, or by unqualified persons or entities, or as part of an improperly designed or constructed building, for the nonperformance of adjacent building components or assemblies, or for other construction activities beyond Sto's control. Improper use of Sto products or use as part of an improperly designed or constructed larger assembly or building may result in serious damage to Sto products, and to the structure of the building or its components. **STO CORP DISCLAIMS ALL WARRANTIES EXPRESS OR IMPLIED EXCEPT FOR EXPLICIT LIMITED WRITTEN WARRANTIES ISSUED TO AND ACCEPTED BY BUILDING OWNERS IN ACCORDANCE WITH STO'S WARRANTY PROGRAMS WHICH ARE SUBJECT TO CHANGE FROM TIME TO TIME.** For the fullest, most current information on proper application, clean-up, mixing and other specifications and warranties, cautions and disclaimers, please refer to the Sto Corp. website, [www.stocorp.com](http://www.stocorp.com).