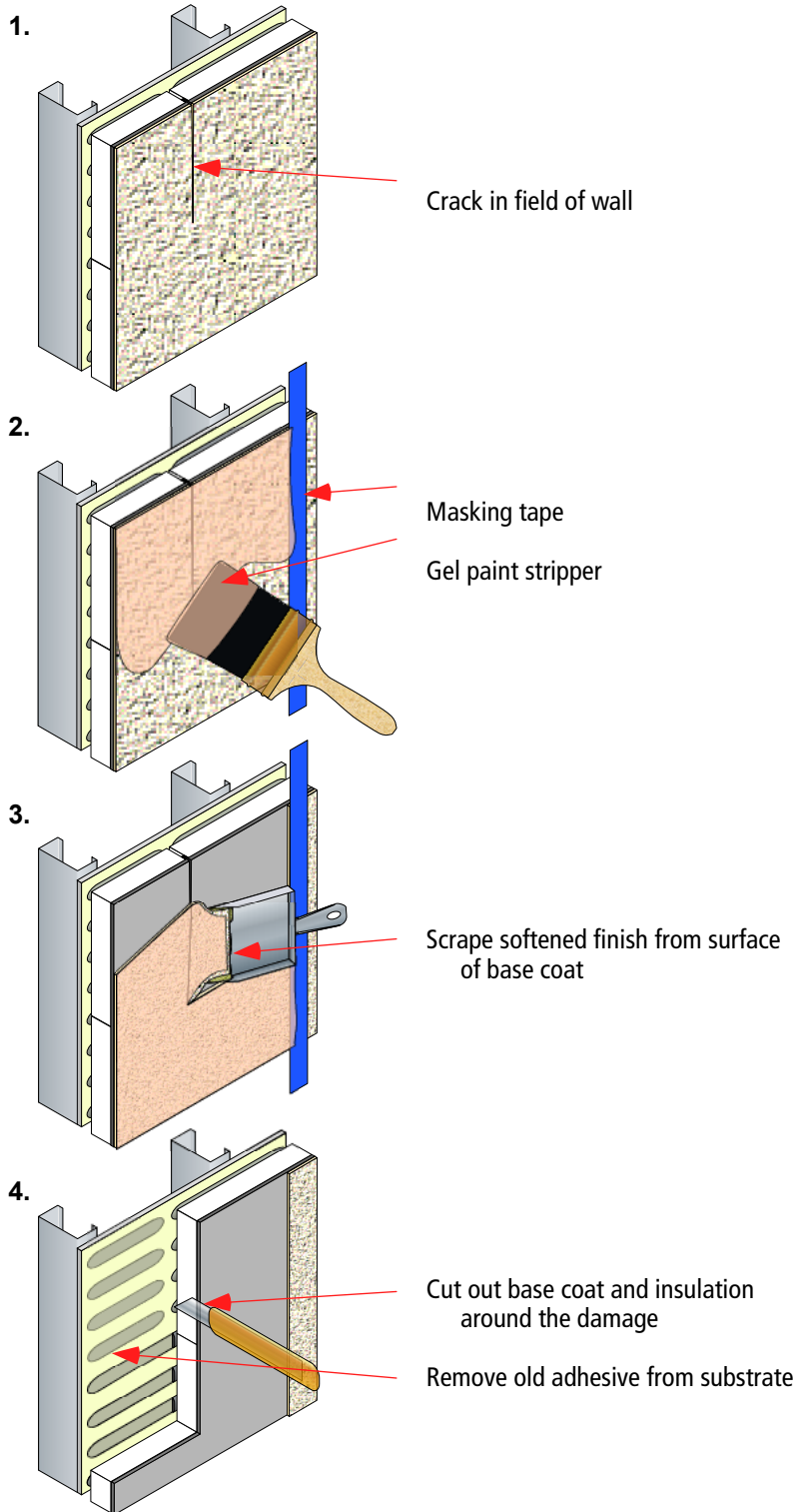


Sto reStore

Puncture or crack repair

Detail No.: 74.06

Date: December 2010



1. Procedure illustrates repairs to damaged EIFS where the insulation requires replacement. Damage may have resulted from impact, crack from improper insulation installation (as illustrated here) or from other cause.

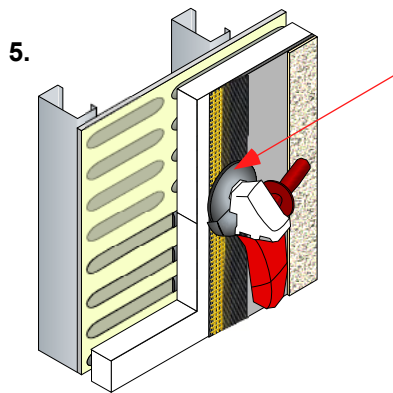
2. Mask off the area around the damage approximately 6" (150 mm) from the edges of the damage. Remove the finish with a grinder or water-based gel paint stripper as described in ReStore Detail 72.03.

Protect areas not being repaired from damage.

3. Scrape the softened finish from the base coat, leaving a neat edge at the masking tape. Rinse any remaining paint stripper off using clean water.

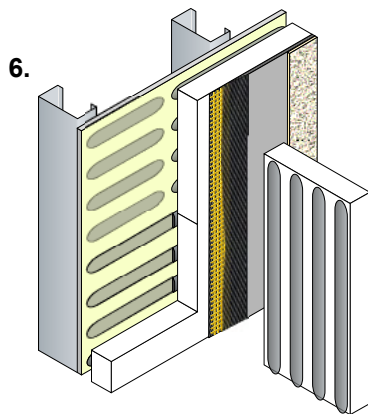
4. Mark off the area minimum 3" (75 mm) from the edges of the damage and cut the base coat and mesh with a straight edge. Remove the base coat and insulation. Remove adhesive from the substrate by scraping or grinding.

Inspect the substrate. If it is damaged, do not proceed until the extent of the damage and scope of required repair is determined.

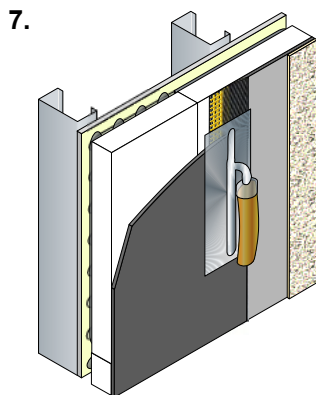


Scrape or grind down the base coat

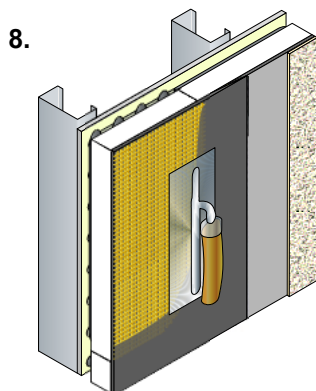
- 5.** Scrape or grind down the base coat a minimum of 3" (75 mm) around the perimeter of the cut opening. Leave a minimum of 2.5" (65 mm) of mesh intact for the new mesh to overlap (Steps 7 & 8).



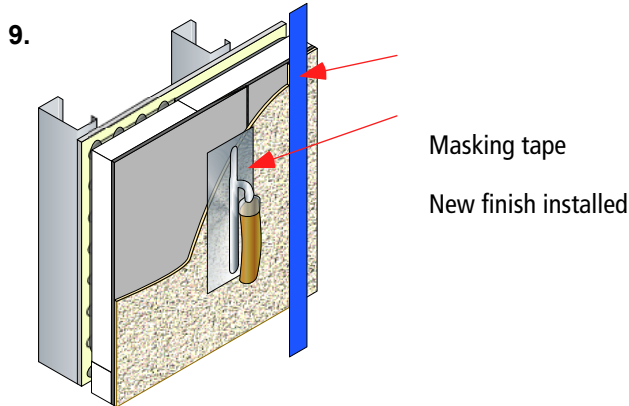
- 6.** Cut a piece of insulation to fit tightly into the opening. When there is a good fit leaving no gaps around the perimeter, apply adhesive and install. Apply adequate pressure to seat the new insulation flush with existing insulation. Allow to dry and rasp the surface as in a standard application.



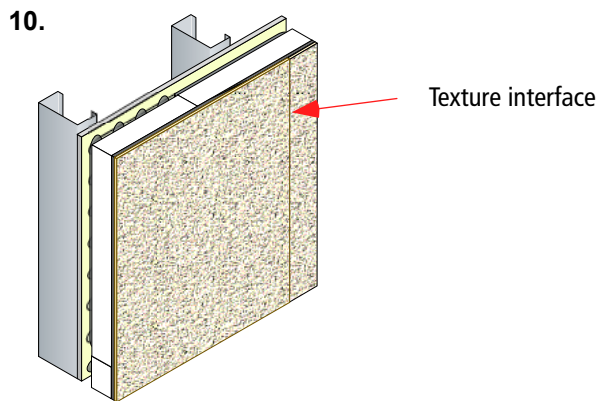
- 7.** Install base coat over the exposed insulation.
- Cut a piece of mesh to fit into the repair base coat so that there will be a minimum of 2.5" (65 mm) overlap of new mesh over old around the perimeter of the repair.



- 8.** Trowel the mesh into the wet base coat, ensuring the overlap around the perimeter of the repair.
- Trowel the fresh base coat so that it is smooth and in plane with the existing base coat. Allow to dry. Protect from inclement weather until dry.



9. Mask off area at line where old finish was removed. Install new finish within the masked off area. Immediately remove the masking tape and texture interface between new and old finish to blend in the new with the old.



10. Protect the new finish until dry.

Depending on the age of the original finish the repair may remain visible as a repair. Texture may be slightly different from the original and the color may differ slightly. Over time the repair will 'weather in' and be less noticeable.

IF a more uniform finish is required refer to ReStore Detail 72.01 Recoat with Smooth Coating or 72.02 Rebase with Texture Coating for alternate finishing procedures.

Note: For further information and techniques refer to StoTherm® EIFS Reference Guide: Repair and Maintenance, Repair of Puncture Damage in EIFS 2.03.

Sto Corp.
 3800 Camp Creek Parkway
 Building 1400, Suite 120
 Atlanta, GA 30331
 Phone 404-346-3666
 Toll Free 888-786-3437
 Fax 404-346-3119
www.stocorp.com

Attention

Sto products are intended for use by qualified professional contractors, not consumers, as a component of a larger construction assembly as specified by a qualified design professional, general contractor or builder. They should be installed in accordance with those specifications and Sto's instructions. Sto Corp. disclaims all, and assumes no, liability for on-site inspections, for its products applied improperly, or by unqualified persons or entities, or as part of an improperly designed or constructed building, for the nonperformance of adjacent building components or assemblies, or for other construction activities beyond Sto's control. Improper use of Sto products or use as part of an improperly designed or constructed larger assembly or building may result in serious damage to Sto products, and to the structure of the building or its components. **STO CORP. DISCLAIMS ALL WARRANTIES EXPRESS OR IMPLIED EXCEPT FOR EXPLICIT LIMITED WRITTEN WARRANTIES ISSUED TO AND ACCEPTED BY BUILDING OWNERS IN ACCORDANCE WITH STO'S WARRANTY PROGRAMS WHICH ARE SUBJECT TO**

CHANGE FROM TIME TO TIME. For the fullest, most current information on proper application, clean-up, mixing and other specifications and warranties, cautions and disclaimers, please refer to the Sto Corp. website, www.stocorp.com.