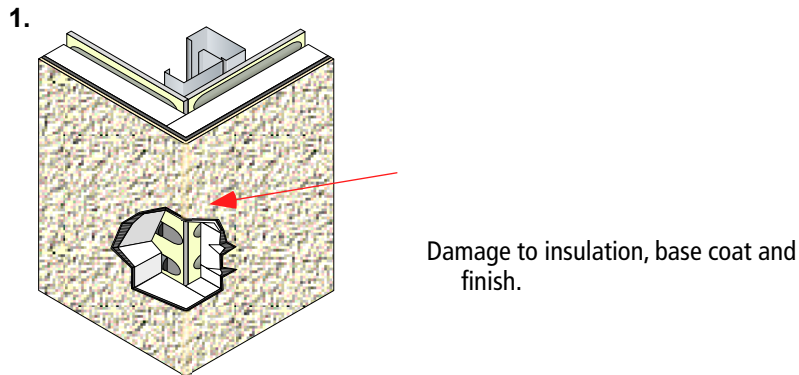


Sto reStore

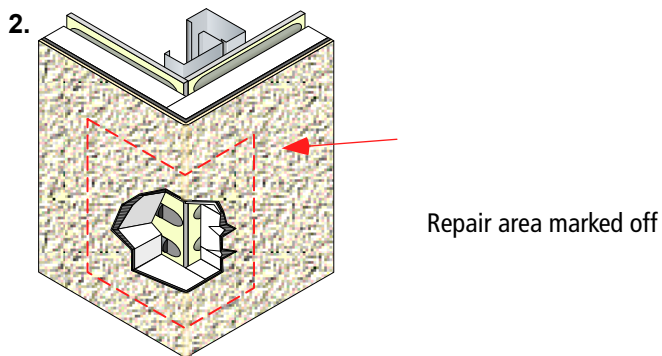
Damage to EIFS Corner

Detail No.: 74.08

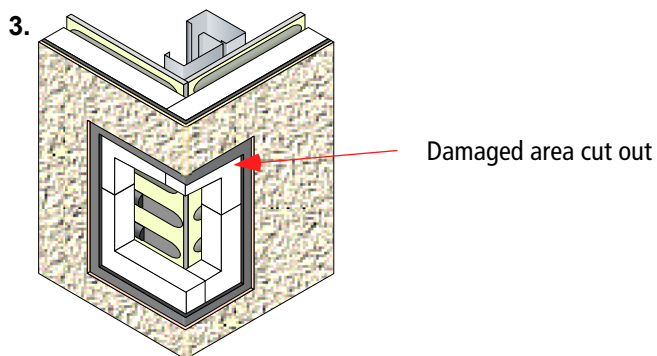
Date: December 2010



1. Procedure illustrates impact damage repair to an EIFS corner.

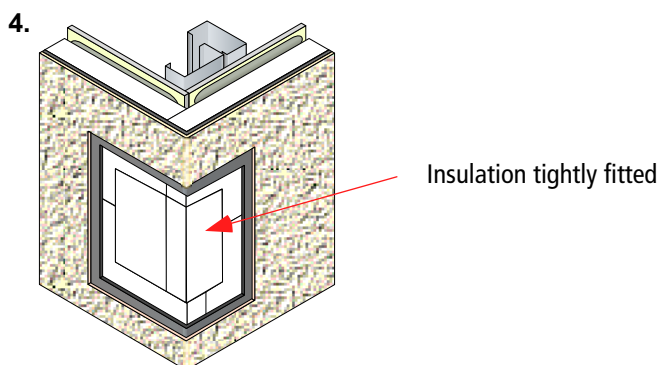


2. Mark off the damaged area to repair using horizontal and vertical lines. Keeping the repair edges and corners square will simplify the installation of new insulation materials.

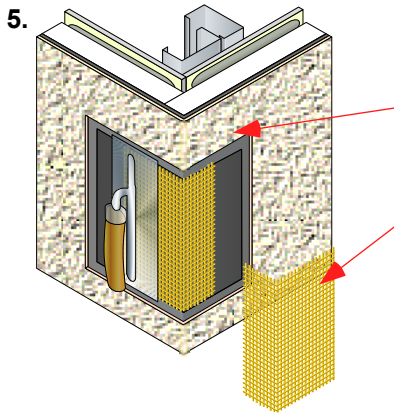


3. Follow the repair procedures outlined in Sto reStore Detail 74.06.

Prior to starting the repair inspect the substrate for damage. Modify the scope of the repairs to include repair of any substrate damage in advance of the EIFS repairs.

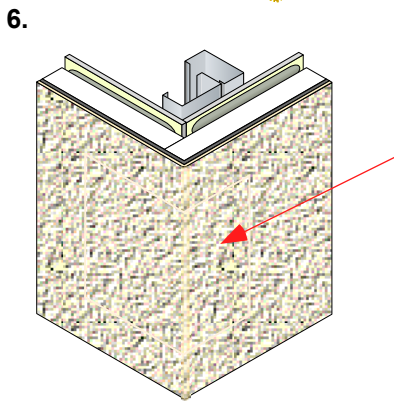


4. Fit the new insulation tightly into the opening cut into the existing material. If repair is extensive, stagger the insulation boards at the corner. Rasp to maintain a straight edge at the corner.



New base coat material installed with new mesh overlapping the existing

Second piece of mesh to overlap in other direction



New finish installed

5. Install base coat and mesh over the exposed insulation as per Sto reStore Detail 74.06. Two pieces of mesh should be trowelled into the wet base coat in two applications so they overlap in each direction a minimum of 2.5" (65 mm).

6. Re-mask the area around the edge of the finish. Install new finish within area protected by the masking tape. as per Sto reStore Detail 74.06.

Protect the new finish until dry.

Depending on the age of the

original finish the repair may remain visible as a repair. Texture may be slightly different from the original and the color may differ slightly. Over time the repair will 'weather in' and be less

noticeable.

If a more uniform finish is required refer to ReStore Detail 72.04 Recoat with Smooth Coating or 72.03 Rebase with Texture Coating for alternate finishing procedures.

Sto Corp.
 3800 Camp Creek Parkway
 Building 1400, Suite 120
 Atlanta, GA 30331
 Phone 404-346-3666
 Toll Free 888-786-3437
 Fax 404-346-3119
www.stocorp.com

Attention

Sto products are intended for use by qualified professional contractors, not consumers, as a component of a larger construction assembly as specified by a qualified design professional, general contractor or builder. They should be installed in accordance with those specifications and Sto's instructions. Sto Corp. disclaims all, and assumes no, liability for on-site inspections, for its products applied improperly, or by unqualified persons or entities, or as part of an improperly designed or constructed building, for the nonperformance of adjacent building components or assemblies, or for other construction activities beyond Sto's control. Improper use of Sto products or use as part of an improperly designed or constructed larger assembly or building may result in serious damage to Sto products, and to the structure of the building or its components. **STO CORP. DISCLAIMS ALL WARRANTIES EXPRESS OR IMPLIED EXCEPT FOR EXPLICIT LIMITED WRITTEN WARRANTIES ISSUED TO AND ACCEPTED BY BUILDING OWNERS IN ACCORDANCE WITH STO'S WARRANTY PROGRAMS WHICH ARE SUBJECT TO**

CHANGE FROM TIME TO TIME. For the fullest, most current information on proper application, clean-up, mixing and other specifications and warranties, cautions and disclaimers, please refer to the Sto Corp. website, www.stocorp.com.